

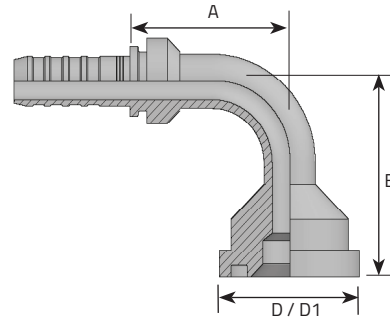
**HYPER** SPIRAL



## SUPERCAT FLANGE - 90° ELBOW

FLANGIA 90° SUPERCAT INTERA  
 BRIDE 90° SUPERCAT (PIÈCE ENTIER)  
 90° FLANSCHANSCHLUSS SUPERCAT EINTEILIG  
 BRIDA 90° SUPERCAT (PIEZA UNICA)

Do Not Include O-Ring / O-Ring Non Compresso /  
 Sans O-Ring / Ohne O-Ring/ Sin O-Ring



Code	Tube		Thread	Dimensions				Pressure
	D.N.	Hose		Diam	D	D1	B	
		Inch	mm	Inch	mm	mm	mm	
HF90S1212I	-12	3/4"	19	3/4"	41.3	67,0	62,5	
HF90S1216I	-12	3/4"	19	1"	47.6	73,0	62,5	
HF90S1616I	-16	1"	25.4	1"	47.6	74,5	82,5	
HF90S1620I	-16	1"	25.4	1.1/4"	54	80,0	82,5	
HF90S2020I	-20	1.1/4"	31.8	1.1/4"	54	96,0	96,7	
HF90S2024I	-20	1.1/4"	31.8	1.1/2"	63.5	98,0	96,7	