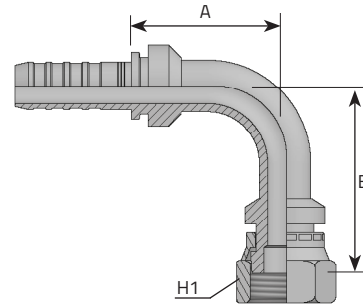


**ORFS FEMALE SWIVEL 90° ELBOW**

FEMMINA 90° ORFS  
 FEMELLE 90° ORFS  
 DK 90° BOGEN ORFS UNF STIRNDICHTEND  
 HEMBRA GIRATORIA A 90° ORFS



Code	Tube		Thread		Dimensions			Pressure
	D.N.	Hose	Diam	T	t/1"	H1	B	
	Inch	mm	Inch		mm	mm	mm	
HF900RFS0606	-6	3/8"	9.5	9/16"	18	22	46,5	38,5
HF900RFS0609	-6	3/8"	9.5	11/16"	16	22	47,8	42,3
HF900RFS0611	-6	3/8"	9.5	13/16"	16	27	52,6	40,3
HF900RFS0809	-8	1/2"	12.8	11/16"	16	27	50,0	45,0
HF900RFS0811	-8	1/2"	12.8	13/16"	16	27	58,1	42,6
HF900RFS0813	-8	1/2"	12.8	1"	14	27	54,7	44,1
HF900RFS0814	-8	1/2"	12.8	1.3/16"	16	30	58,1	43,1
HF900RFS1013	-10	5/8"	16	1"	14	32	65,2	59,1
HF900RFS1014	-10	5/8"	16	1.3/16"	16	32	64,6	54,1
HF900RFS1213	-12	3/4"	19	1"	14	34	72,2	60,6
HF900RFS1214	-12	3/4"	19	1.3/16"	16	34	73,6	61,6
HF900RFS1215	-12	3/4"	19	1.7/16"	12	36	77,5	62,1
HF900RFS1221	-12	3/4"	19	1.11/16"	12	41	83,9	97,6
HF900RFS1614	-16	1"	25.4	1.3/16"	16	42	86,5	75,5
HF900RFS1615	-16	1"	25.4	1.7/16"	12	42	85,6	79,6
HF900RFS1621	-16	1"	25.4	1.11/16"	12	42	99,4	97,5
HF900RFS2021	-20	1.1/4"	31.8	1.11/16"	12	41	99,9	98,1
HF900RFS2032	-20	1.1/4"	31.8	2"	12	50	90,6	103,1