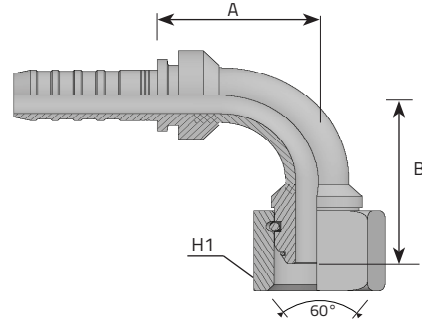


**BSPP FEMALE 90° ELBOW
THRUST-WIRE NUT**

FEMMINA 90° BSPP SV60° DADO SPINATO CON O-RING
 FEMELLE 90° BSPP AVEC O-RING CÔNE 60° (ÉCROU À JONC)
 DKOR 90° BOGEN 60° KONUS MIT O-RING (BSPP-GEWINDE) +
 GESTIFTETE
 HEMBRA GIRATORIA A 90° BSPP CON O-RING (TUERCA CON SEGURO)

* : without o-ring / senza o-ring



Code	Tube		Thread		Dimensions			Pressure
	D.N.	Hose	Diam	T	t/1"	H1	B	
	Inch	mm	Inch		mm	mm	mm	
* HF90G0606SP	-6	3/8"	9.5	3/8"	19	22	41,0	39,0
* HF90G0608SP	-6	3/8"	9.5	1/2"	14	27	42,5	39,0
* HF90G0806SP	-8	1/2"	12.8	3/8"	19	22	43,0	43,5
* HF90G0808SP	-8	1/2"	12.8	1/2"	14	27	46,0	43,5
HF90G0812SP	-8	1/2"	12.8	3/4"	14	27	51,5	43,5
* HF90G1008SP	-10	5/8"	16	1/2"	14	32	57,0	55,5
HF90G1012SP	-10	5/8"	16	3/4"	14	32	56,5	55,5
* HF90G1208SP	-12	3/4"	19	1/2"	14	27	57,0	59,0
HF90G1212SP	-12	3/4"	19	3/4"	14	32	61,0	59,0
HF90G1216SP	-12	3/4"	19	1"	11	34	66,5	59,0
HF90G1612SP	-16	1"	25.4	3/4"	14	42	71,5	74,0
HF90G1616SP	-16	1"	25.4	1"	11	42	75,0	78,5
HF90G1620SP	-16	1"	25.4	1.1/4"	11	42	79,5	78,5
HF90G2020SP	-20	1.1/4"	31.8	1.1/4"	11	50	92,5	96,7
HF90G2024SP	-20	1.1/4"	31.8	1.1/2"	11	55	97,5	96,7