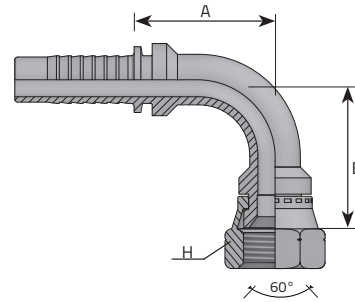


STANDARD FITTINGS

KOMATSU STYLE FEMALE - 90° ELBOW

FEMMINA 90° METRICA "KOMATSU" SV 60°
 FEMELLE 90° MÉTRIQUE "KOMATSU" CÔNE 60°
 DKM 90° "KOMATSU" 60° KONUS METRISCH
 HEMBRA GIRATORIA A 90° MÉTRICA "KOMATSU" CONO 60°



| Code | Tube | | | Thread | | Dimensions | | | Pressure | |
|----------|------|--------|------|-----------|------|------------|-------|------|----------|------|
| | D.N. | Hose | Diam | T | t/1" | H | B | A | Bar | Psi |
| | | Inch | mm | mm | | mm | mm | mm | | |
| F90K0414 | -4 | 1/4" | 6.4 | M14 x 1.5 | | 19 | 27 | 23 | 350 | 5076 |
| F90K0416 | -4 | 1/4" | 6.4 | M16 x 1.5 | | 22 | 27 | 23 | 250 | 3626 |
| F90K0516 | -5 | 5/16" | 7.9 | M16 x 1.5 | | 22 | 32 | 31.5 | 250 | 3626 |
| F90K0614 | -6 | 3/8" | 9.5 | M14 x 1.5 | | 19 | 35 | 33 | 250 | 3626 |
| F90K0616 | -6 | 3/8" | 9.5 | M16 x 1.5 | | 22 | 35 | 33 | 250 | 3626 |
| F90K0618 | -6 | 3/8" | 9.5 | M18 x 1.5 | | 24 | 36.5 | 33 | 250 | 3626 |
| F90K0818 | -8 | 1/2" | 12.8 | M18 x 1.5 | | 24 | 41 | 39 | 250 | 3626 |
| F90K0820 | -8 | 1/2" | 12.8 | M20 x 1.5 | | 27 | 43.5 | 39 | 200 | 2901 |
| F90K0822 | -8 | 1/2" | 12.8 | M22 x 1.5 | | 27 | 43.5 | 39 | 200 | 2901 |
| F90K0824 | -8 | 1/2" | 12.8 | M24 x 1.5 | | 32 | 50 | 39 | 200 | 2901 |
| F90K1022 | -10 | 5/8" | 16 | M22 x 1.5 | | 27 | 50 | 49 | 200 | 2901 |
| F90K1024 | -10 | 5/8" | 16 | M24 x 1.5 | | 32 | 55 | 49 | 200 | 2901 |
| F90K1230 | -12 | 3/4" | 19 | M30 x 1.5 | | 36 | 62.5 | 53.5 | 160 | 2320 |
| F90K1633 | -16 | 1" | 25.4 | M33 x 1.5 | | 41 | 69.5 | 73 | 160 | 2320 |
| F90K2036 | -20 | 1.1/4" | 31.8 | M36 x 1.5 | | 46 | 88 | 89 | 125 | 1813 |
| F90K2442 | -24 | 1.1/2" | 38.1 | M42 x 1.5 | | 50 | 106.5 | 101 | 100 | 1450 |