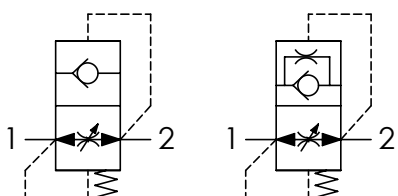




Schema idraulico - Hydraulic circuit



Con foro (With orifice)

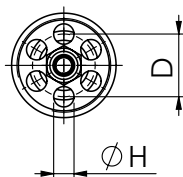
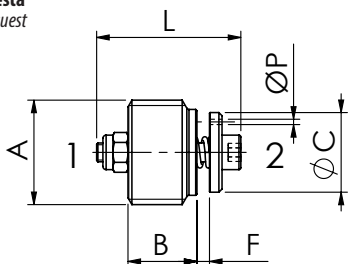
Codice ordinazione  
Ordering code

01	02	03	04
<b>VUBA</b>			

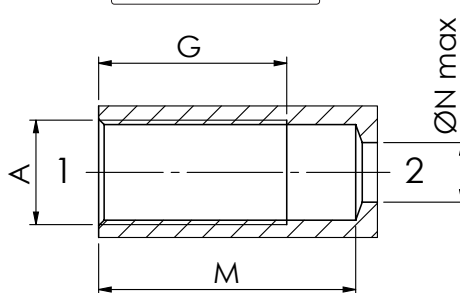
<b>01</b>	Valvole di sicurezza per tubazioni (Hose burst valves)	<b>VUBA</b>
<b>02</b>	Dimensione (Size)	BSPP 1/4 <b>140</b>
		BSPP 3/8 <b>380</b>
		BSPP 1/2 <b>120</b>
		BSPP 3/4 <b>340</b>
		BSPP 1 <b>100</b>
<b>03</b>	Regolazione (Setting)	Esempio: regolazione 0,7 mm (Example: setting 0.7 mm) <b>F 0,7</b>
		Omettere se non richiesto (Omit if not required)
<b>04</b>	Foro sul piattello (Orifice on flat poppet)	Esempio: foro 1,5 mm (Example: hole 1,5 mm) <b>P 1,5</b>
		Omettere se non richiesto (Omit if not required)

Regolazione F a richiesta  
F setting on request

Foro su piattello a richiesta  
Orifice on flat poppet on request

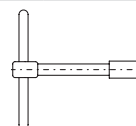


Cavità (Cavity)



Dati tecnici - Technical data

Olio idraulico/Mineral oil	ISO 6743/4 (DIN 51524)	
Viscosità olio/Oil viscosity	15-250 mm <sup>2</sup> /s (15 to 250 cSt)	
Classe di contaminazione max con filtro Max contamination index with filter	ISO 4406:1999 Classe 19/17/14	
Temperatura dell'olio/Oil temperature	-20°C +80°C	-4°F +176°F
Temperatura ambiente/Ambient temperature	-20°C +50°C	-4°F +122°F
È indispensabile l'utilizzo di un filtro per proteggere la valvola (filtrazione consigliata 15 µm) It is necessary a filter use to protect the valve (advised filtration 15 µm)		
Trafilamento massimo Max leakage	0,25 cm <sup>3</sup> /min - 5 gocce/min	0,015 in <sup>3</sup> /min - 5 drops/min



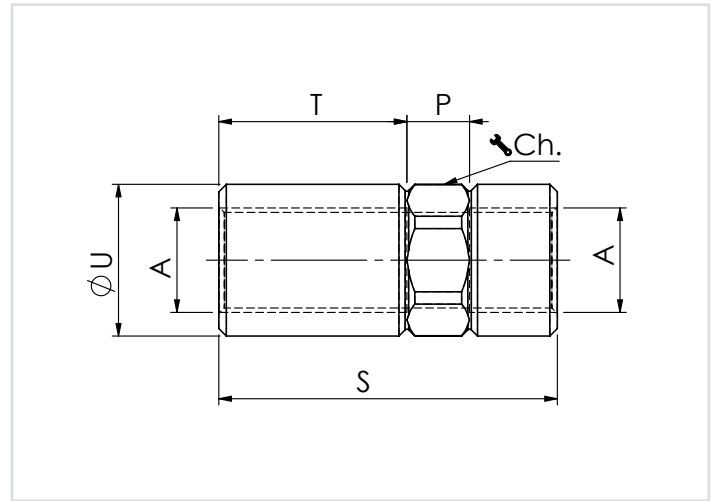
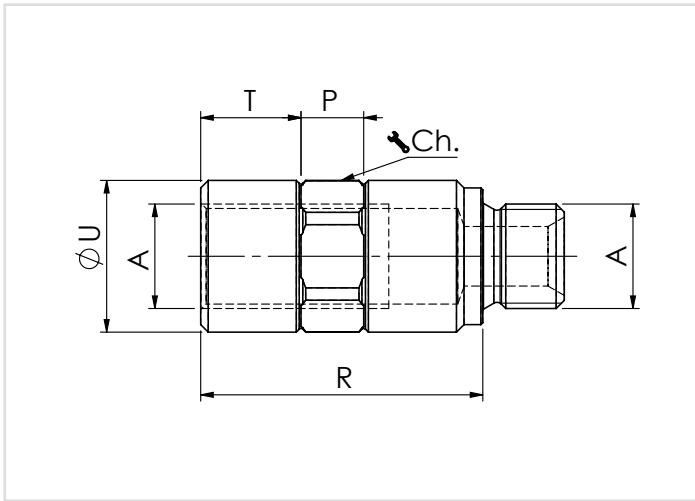
Chiave - Tool

Dimensione/Dimensions

Tipo chiave Tool's Type	Tipo Type	Peso/Weight kg/lb
<b>61700001</b>	<b>VUBA140</b>	<b>0,12 (0.27)</b>
<b>61700002</b>	<b>VUBA380</b>	<b>0,13 (0.29)</b>
<b>61700003</b>	<b>VUBA120</b>	<b>0,15 (0.33)</b>
<b>61700004</b>	<b>VUBA340</b>	<b>0,18 (0.40)</b>

Caratteristiche tecniche - Technical characteristics

Tipo Type	A	Portata max Max flow l/min-USgpm	Pressione max Max pressure bar/PSI	B	C	D	G	H	L	M	N	Coppia di serraggio Tightening torque Nm/lbt ft	Peso approssimativo Approx weight kg/lb
<b>VUBA140</b>	<b>BSPP 1/4</b>	<b>25 (6.6)</b>	<b>350 (5075)</b>	<b>8,2 (0.32)</b>	<b>10,4 (0.41)</b>	<b>8 (0.31)</b>	<b>25 (0.98)</b>	<b>2,5 (0.10)</b>	<b>19 (0.75)</b>	<b>35 (1.38)</b>	<b>7 (0.28)</b>	<b>2 (1.5)</b>	<b>0,008 (0.017)</b>
<b>VUBA380</b>	<b>BSPP 3/8</b>	<b>50 (13.2)</b>		<b>11 (0.43)</b>	<b>12,7 (0.50)</b>	<b>10 (0.39)</b>	<b>30 (1.18)</b>	<b>3,25 (0.13)</b>	<b>23 (0.90)</b>	<b>41 (1.61)</b>	<b>9,5 (0.37)</b>	<b>3 (2.5)</b>	<b>0,014 (0.030)</b>
<b>VUBA120</b>	<b>BSPP 1/2</b>	<b>80 (21.1)</b>		<b>13 (0.51)</b>	<b>15 (0.59)</b>	<b>11,5 (0.45)</b>	<b>33 (1.30)</b>	<b>4 (0.16)</b>	<b>29 (1.14)</b>	<b>46 (1.81)</b>	<b>12 (0.47)</b>	<b>4 (3)</b>	<b>0,025 (0.055)</b>
<b>VUBA340</b>	<b>BSPP 3/4</b>	<b>150 (39.6)</b>		<b>18 (0.71)</b>	<b>18 (0.71)</b>	<b>14,5 (0.57)</b>	<b>42 (1.65)</b>	<b>5,2 (0.20)</b>	<b>34 (1.34)</b>	<b>55 (2.17)</b>	<b>16 (0.63)</b>	<b>10 (7.5)</b>	<b>0,054 (0.12)</b>
<b>VUBA100</b>	<b>BSPP 1</b>	<b>180 (47.5)</b>		<b>20 (0.79)</b>	<b>26 (1.02)</b>	<b>19 (0.75)</b>	<b>48 (1.89)</b>	<b>7 (0.28)</b>	<b>40 (1.57)</b>	<b>63 (2.48)</b>	<b>22 (0.87)</b>	<b>12 (9)</b>	<b>0,1 (0.22)</b>



### Colonneta - Housings M/F

Tipo Type	A	R	P	T	U	Ch.	Peso approssimativo Approx weight kg/lb
<b>61100087</b>	BSPP 1/4	39 (1.53)	10 (0.39)	13 (0.51)	20.5 (0.80)	19	0.07 (0.16)
<b>61100088</b>	BSPP 3/8	45 (1.77)	10 (0.39)	16 (0.63)	24.5 (0.96)	22	0.10 (0.22)
<b>61100089</b>	BSPP 1/2	52 (2.05)	10 (0.39)	19 (0.75)	29.5 (1.16)	27	0.17 (0.37)
<b>61100090</b>	BSPP 3/4	61 (2.40)	12 (0.47)	23 (0.90)	35.5 (1.32)	32	0.26 (0.57)
<b>61100091</b>	BSPP 1	67 (2.63)	15 (0.59)	25.5 (1)	44.5 (1.75)	41	0.4 (0.88)

### Colonneta - Housings F/F

Tipo Type	A	S	P	T	U	Ch.	Peso approssimativo Approx weight kg/lb
<b>61100092</b>	BSPP 1/4	48 (1.89)	10 (0.39)	13 (0.51)	20.5 (0.80)	19	0.09 (0.20)
<b>61100093</b>	BSPP 3/8	54 (2.13)	10 (0.39)	30 (1.18)	24.2 (0.95)	22	0.11 (0.24)
<b>61100094</b>	BSPP 1/2	73 (2.87)	10 (0.39)	46.5 (1.83)	29.2 (1.14)	27	0.20 (0.44)
<b>61100095</b>	BSPP 3/4	74 (2.91)	12 (0.47)	44 (1.73)	35.5 (1.32)	32	0.27 (0.59)

### Regolazione "F" - Setting "F"

