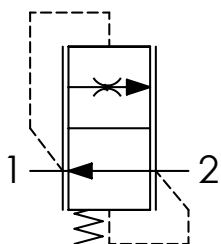


Schema idraulico - Hydraulic circuit



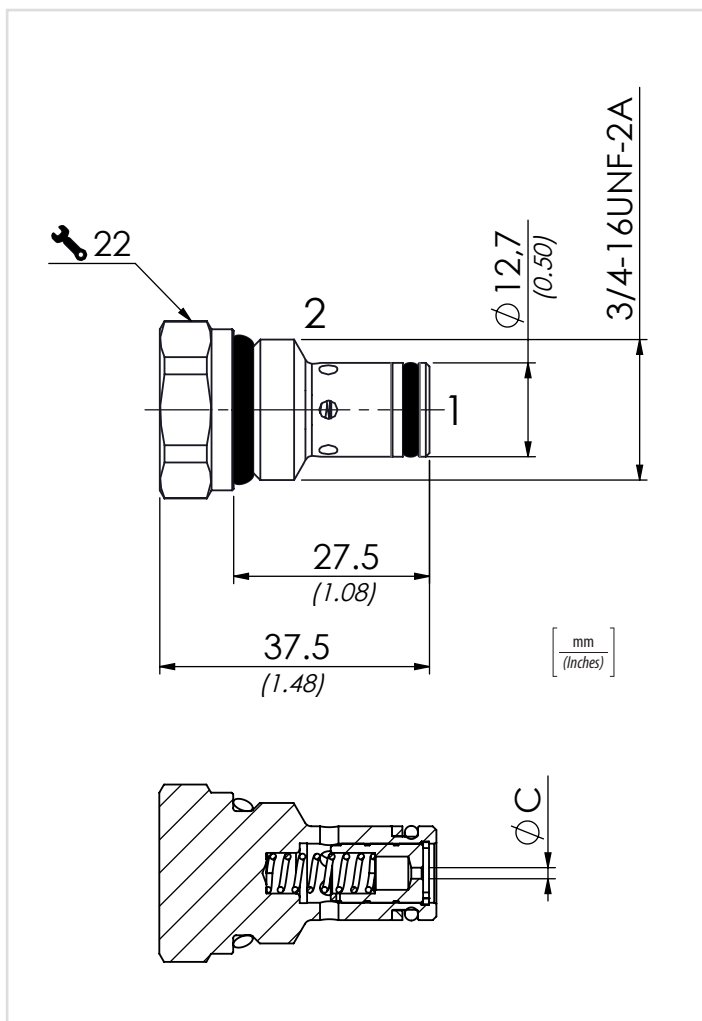
Codice ordinazione 01 02  
Ordering code **VSC6**

01	Valvole controllo flusso fisse compensate SAE 8 (SAE 8 fixed flow control valves - pressure compensated)	VSC6
02	Portata controllata a 100 bar ± 10% (Controlled flow at 100 bar ± 10%)	1 l/min (0.26 USgpm) 1
		2 l/min (0.53 USgpm) 2
		3 l/min (0.79 USgpm) 3
		4 l/min (1.06 USgpm) 4
		5 l/min (1.32 USgpm) 5
		6 l/min (1.58 USgpm) 6
		7 l/min (1.85 USgpm) 7
		8 l/min (2.11 USgpm) 8
		9 l/min (2.38 USgpm) 9
		10 l/min (1.64 USgpm) 10
		11 l/min (2.90 USgpm) 11
		12 l/min (3.17 USgpm) 12

Dati tecnici - Technical data

**Olio idraulico/Mineral oil** ISO 6743/4 (DIN 51524)  
**Viscosità olio/Oil viscosity** 15-250 mm<sup>2</sup>/s (15 to 250 cSt)  
**Classe di contaminazione max con filtro** ISO 4406:1999 Classe 19/17/14  
*Max contamination index with filter*  
**Temperatura dell'olio/Oil temperature** -20°C +80°C -4°F +176°F  
**Temperatura ambiente/Ambient temperature** -20°C +50°C -4°F +122°F  
**È indispensabile l'utilizzo di un filtro per proteggere la valvola (filtrazione consigliata 15 µm)**  
*It is necessary a filter use to protect the valve (advised filtration 15 µm)*

Tipo (Type)	Ø C
VSC61	1 (0.04)
VSC62	1,2 (0.05)
VSC63	1,5 (0.06)
VSC64	1,7 (0.07)
VSC65	1,9 (0.07)
VSC66	2,1 (0.08)
VSC67	2,3 (0.09)
VSC68	2,4 (0.09)
VSC69	2,7 (0.11)
VSC610	2,8 (0.11)
VSC611	3,1 (0.12)
VSC612	3,3 (0.13)



Caratteristiche tecniche - Technical characteristics

Tipo Type	A	Portata max Max flow l/min-USgpm	Pressione max Max pressure bar/PSI	Peso approssimativo Approx weight kg/lb	Coppia di serraggio Tightening torque Nm/lbf ft	Cavità Cavity
VSC6	3/4-16UNF-2A	12 (3.11)	250 (3625)	0,06 (0.15)	25-30 (19-22)	SAE8/2