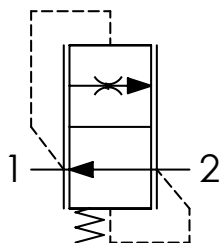




### Schema idraulico - Hydraulic circuit



### Dati tecnici - Technical data

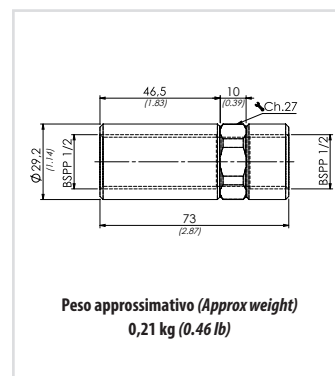
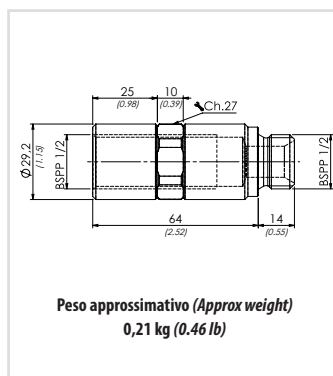
|   |   |             |
|---|---|-------------|
| Olío idraulico/Mineral oil  | ISO 6743/A (DIN 51524)                    |             |
| Viscosità olio/Oil viscosity  | 15-250 mm <sup>2</sup> /s (15 to 250 cSt) |             |
| Classe di contaminazione max con filtro<br>Max contamination index with filter  | ISO 4406:1999 Classe 19/17/14             |             |
| Temperatura dell'olio/Oil temperature   | -20°C +80°C                               | -4°F +176°F |
| Temperatura ambiente/Ambient temperature  | -20°C +50°C                               | -4°F +122°F |
| <b>È indispensabile l'utilizzo di un filtro per proteggere la valvola (filtrazione consigliata 15 µm)</b><br>It is necessary a filter use to protect the valve (advised filtration 15 µm) |   |             |

|                                     |               |    |
|-------------------------------------|---------------|----|
| Codice ordinazione<br>Ordering code | 01            | 02 |
|                                     | <b>VSC120</b> |    |

|    |  |                        |               |
|----|--|------------------------|---------------|
| 01 | Valvole controllo discesa fisse compensate<br>(Fixed flow control valves - pressure compensated) |                        | <b>VSC120</b> |
| 02 | Portata controllata a 100 bar ± 10%<br>(Controlled flow at 100 bar ± 10%)                        | 9 l/min (2.38 USgpm)   | 9             |
|    |  | 12 l/min (3.17 USgpm)  | 12            |
|    |  | 17 l/min (4.49 USgpm)  | 17            |
|    |  | 21 l/min (5.54 USgpm)  | 21            |
|    |  | 27 l/min (7.1 USgpm)   | 27            |
|    |  | 32 l/min (8.45 USgpm)  | 32            |
|    |  | 40 l/min (10.56 USgpm) | 40            |
|    |  | 47 l/min (12.4 USgpm)  | 47            |

Tipo - Type  
**61100033**

Tipo - Type  
**61100094**



| Tipo Type     | Portata max<br>Max flow<br>l/min-USgpm | Pressione max<br>Max pressure<br>bar/PSI | Coppia di serraggio<br>Tightening torque<br>Nm/lbt ft | Peso approssimativo<br>Approx weight<br>kg/lb |
|---------------|--|--|---|---|
| <b>VSC120</b> | <b>47 (12.4)</b>                       | <b>250 (3625)</b>                        | <b>10 (7.5)</b>                                       | <b>0,050 (0.11)</b>                           |

| Tipo (Type)     | Ø C               |
|-----------------|-------------------|
| <b>VSC1209</b>  | <b>2,5 (0.10)</b> |
| <b>VSC12012</b> | <b>3 (0.12)</b>   |
| <b>VSC12017</b> | <b>3,5 (0.14)</b> |
| <b>VSC12021</b> | <b>4 (0.16)</b>   |
| <b>VSC12027</b> | <b>4,5 (0.18)</b> |
| <b>VSC12032</b> | <b>5 (0.20)</b>   |
| <b>VSC12040</b> | <b>5,5 (0.22)</b> |
| <b>VSC12047</b> | <b>6 (0.24)</b>   |

