



Technical data

E

- Interchange: exclusive Dnp profile
- Occlusion: flat face
- Locking: lever with safety device
- Material: steel and aluminum
- Finishing: Zn-Fe (Cr III), Anodizing
- Threads: BSP-NPT-SAE-METRICS-Rc
- Standard seals: NBR and PU
- Working temperature: -25°C+100°C
- Optional seals: FKM, EPDM or more
- Working pressure: 350 bar
- Connection under residual pressure: allowed (male side only)

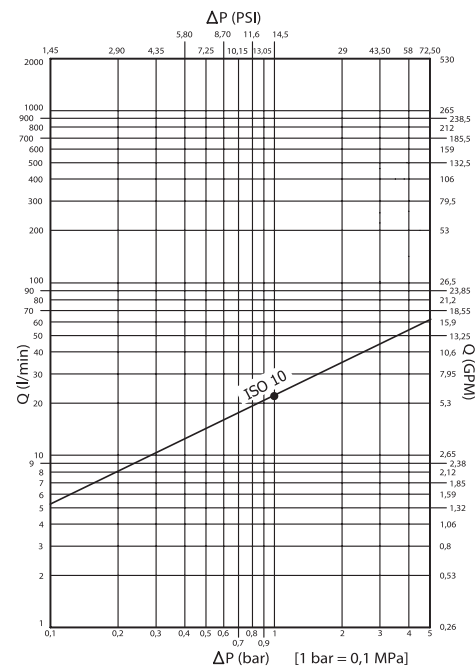
Technische Merkmale

D

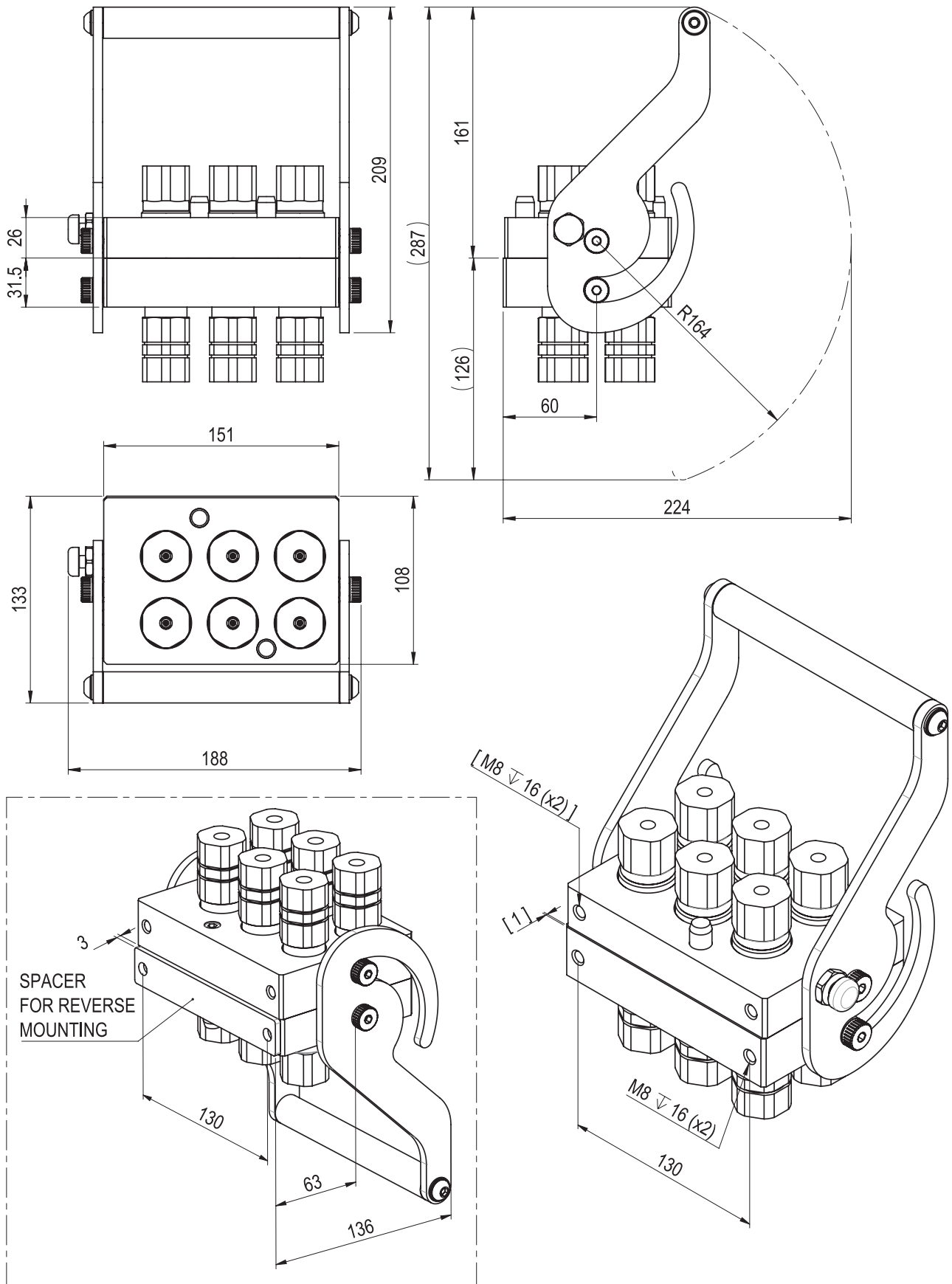
- Austauschbarkeit: laut exclusive Dnp Zeichnung
- Verschluss: flachdichtend
- Kupplung: Hebel mit doppelter Sicherung
- Werkstoff: Stahl und Aluminium
- Ausführung: Zn-Fe (Cr III), Eloxiert
- Gewinde: BSP-NPT-SAE-METRIC-Rc
- Standard-Dichtungen: NBR und PU
- Betriebstemperatur: -25°C+100°C
- Dichtungen nach Wahl: FKM, EPDM, usw.
- Betriebsdruck: 250 bar
- Kuppeln unter Restdruck: erlaubt (nur Steckerseite)

Nominal size				Max working pressure	Rated flow	Max flow rate	Min burst pressure			Fluid spillage
DNP	BG	ISO	Ømm				Male	Female	Coupled	
13	2	10	8.6	35	23	46	140	140	140	0.010

1 MPa = 145.04 psi • 1 l = 0.264 gal



PSQ6 DIMENSION

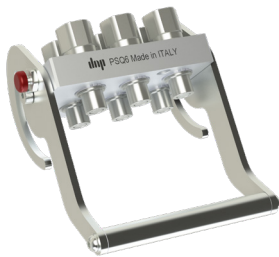


PSQ6 FIXED



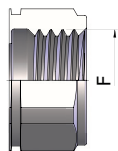
THREADS	DNP	BG	ISO	Housings	No. of Couplings	F	STANDARD	FIXED PART	
								CODE	Weight (g)
IG 1	13	2	10	6	6	BSP 1/4"	DIN 3852-2	PSQ6.1306.002	2805
	13	2	10	6	6	NPT 1/4"	ANSI B1.20.1	PSQ6.1306.012	2845
	13	2	10	6	6	BSP 3/8"	DIN 3852-2	PSQ6.1310.002	2745
	13	2	10	6	6	NPT 3/8"	ANSI B1.20.1	PSQ6.1310.012	2755
	13	2	10	6	6	Rc 3/8"	EN 10226-2	PSQ6.1310.042	2755
	13	2	10	6	6	BSP 1/2"	DIN 3852-2	PSQ6.1313.002	2655
	13	2	10	6	6	NPT 1/2"	ANSI B1.20.1	PSQ6.1313.012	2670
	13	2	10	6	6	Rc 1/2"	EN 10226-2	PSQ6.1313.042	2695
	13	2	10	6	6	M16x1.5	DIN 3852-1	PSQ6.1316.102	2760
	13	2	10	6	6	M18x1.5	DIN 3852-1	PSQ6.1318.102	2720
IG 2	13	2	10	6	6	9/16"-18 UNF 2B	SAE J1926-1	PSQ6.1315.032	2740
	13	2	10	6	6	3/4"-16 UNF 2B	SAE J1926-1	PSQ6.1319.032	2695
	13	2	10	6	6	M22x1.5	ISO 6149-1	PSQ6.1322.102	2645
AG 3	13	2	10	6	6	M18x1.5-12L	ISO 8434-1-L	PSQ6.1318.302	2565
	13	2	10	6	6	M20x1.5-12S	ISO 8434-1-S	PSQ6.1320.402	2615
	13	2	10	6	6	M22x1.5-15L	ISO 8434-1-L	PSQ6.1322.302	2600
AG 8	13	2	10	6	6	BSP 1/2"	BS B5200	PSQ6.1313.702	2590

PSQ6 MOBILE

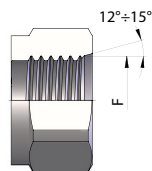


THREADS	DNP	BG	ISO	Housings	No. of Couplings	F	STANDARD	MOBILE PART	
								CODE	Weight (g)
IG 1	13	2	10	6	6	BSP 1/4"	DIN 3852-2	PSQ6.1306.003	3810
	13	2	10	6	6	NPT 1/4"	ANSI B1.20.1	PSQ6.1306.013	3850
	13	2	10	6	6	BSP 3/8"	DIN 3852-2	PSQ6.1310.003	3750
	13	2	10	6	6	NPT 3/8"	ANSI B1.20.1	PSQ6.1310.013	3845
	13	2	10	6	6	Rc 3/8"	EN 10226-2	PSQ6.1310.043	3865
	13	2	10	6	6	BSP 1/2"	DIN 3852-2	PSQ6.1313.003	3665
	13	2	10	6	6	NPT 1/2"	ANSI B1.20.1	PSQ6.1313.013	3770
	13	2	10	6	6	Rc 1/2"	EN 10226-2	PSQ6.1313.043	3775
	13	2	10	6	6	M16x1.5	DIN 3852-1	PSQ6.1316.103	3730
	13	2	10	6	6	M18x1.5	DIN 3852-1	PSQ6.1318.103	3770
IG 2	13	2	10	6	6	9/16"-18 UNF 2B	SAE J1926-1	PSQ6.1315.033	3820
	13	2	10	6	6	3/4"-16 UNF 2B	SAE J1926-1	PSQ6.1319.033	3720
	13	2	10	6	6	M22x1.5	ISO 6149-1	PSQ6.1322.103	3690
AG 3	13	2	10	6	6	M18x1.5-12L	ISO 8434-1-L	PSQ6.1318.303	3705
	13	2	10	6	6	M20x1.5-12S	ISO 8434-1-S	PSQ6.1320.403	3725
	13	2	10	6	6	M22x1.5-15L	ISO 8434-1-L	PSQ6.1322.303	3705
AG 8	13	2	10	6	6	BSP 1/2"	BS B5200	PSQ6.1313.703	3575

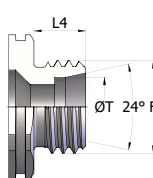
THREADS



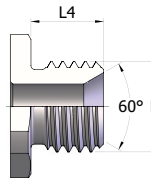
IG 1



IG 2



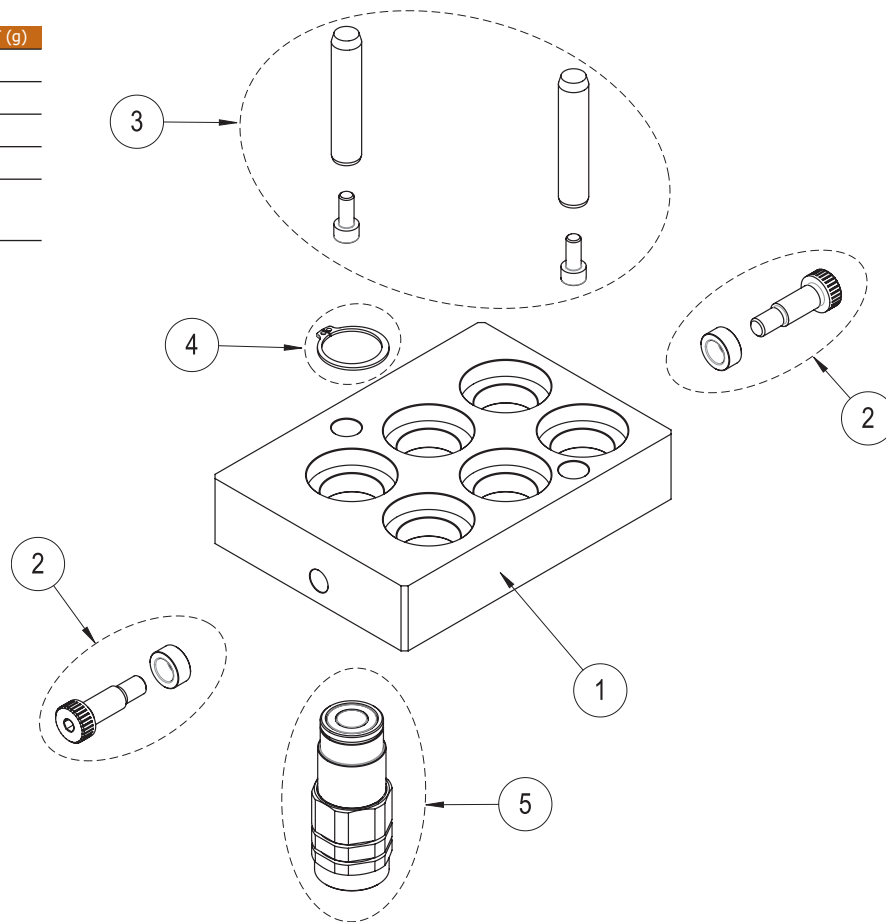
AG 3



AG 8

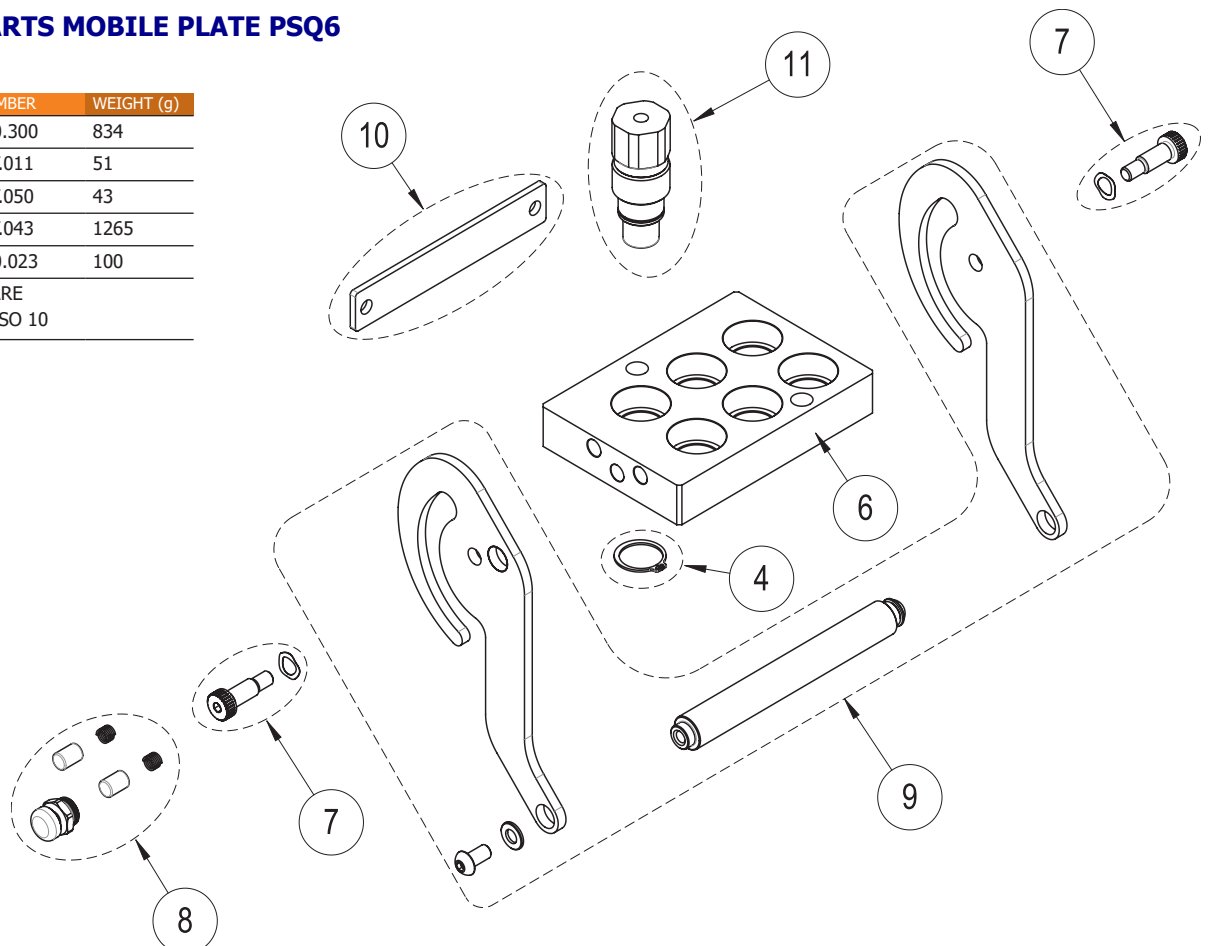
SPARE PARTS FIXED PLATE PSQ6

POS.	PART NUMBER	WEIGHT (g)
1	PSQ.260.100	1050
2	PSQ.KIT.020	64
3	PSQ.KIT.017	106
4	PSQ.000.016	2
5	SEE SPARE PARTS ISO 10	

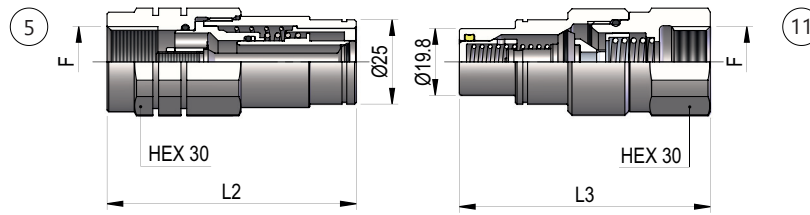


SPARE PARTS MOBILE PLATE PSQ6

POS.	PART NUMBER	WEIGHT (g)
6	PSQ.360.300	834
7	PSQ.KIT.011	51
8	PSQ.KIT.050	43
9	PSQ.KIT.043	1265
10	PSQ.000.023	100
11	SEE SPARE PARTS ISO 10	

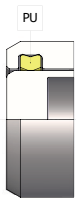


SPARE PARTS ISO 10 COUPLINGS



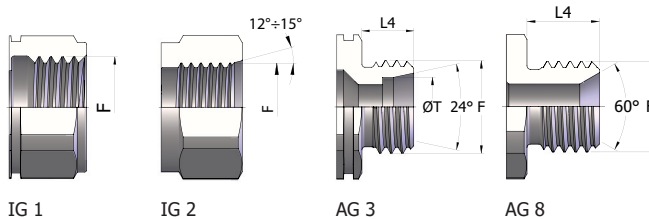
THREADS	DNP	BG	ISO	L2	L3	L4	ØT	F	STANDARD	SPARE PARTS			
										FEMALE - MUFFE		MALE - STECKER	
										COD. F	Weight (g)	COD. M	Weight (g)
IG 1	13	2	10	73.5	74			BSP 1/4"	DIN 3852-2	POT4.1306.112	270	POT4.1306.113	255
	13	2	10	73.5	75			NPT 1/4"	ANSI B1.20.1	POT4.1306.012	277	POT4.1306.013	262
	13	2	10	73.5	74			BSP 3/8"	DIN 3852-2	POT4.1310.112	261	POT4.1310.113	245
	13	2	10	73.5	77.5			NPT 3/8"	ANSI B1.20.1	POT4.1310.012	263	POT4.1310.013	261
	13	2	10	73.5	77.5			Rc 3/8"	EN 10226-2	POT4.1310.042	262	POT4.1310.043	264
	13	2	10	73.5	74			BSP 1/2"	DIN 3852-2	POT4.1313.112	246	POT4.1313.113	231
	13	2	10	73.5	78			NPT 1/2"	ANSI B1.20.1	POT4.1313.012	248	POT4.1313.013	248
	13	2	10	74.5	78			Rc 1/2"	EN 10226-2	POT4.1313.042	252	POT4.1313.043	249
	13	2	10	73.5	74			M16x1.5	DIN 3852-1	POT4.1316.102	263	POT4.1316.103	248
	13	2	10	73.5	74			M18x1.5	DIN 3852-1	POT4.1318.102	256	POT4.1318.103	241
IG 2	13	2	10	72	75			9/16"-18 UNF 2B	SAE J1926-1	POT4.1315.032	260	POT4.1315.033	256
	13	2	10	73.5	75			3/4"-16 UNF 2B	SAE J1926-1	POT4.1319.032	253	POT4.1319.033	240
	13	2	10	74.5	75			M22x1.5	ISO 6149-1	POT4.1322.102	244	POT4.1322.103	235
AG 3	13	2	10	73.5	78	11	12L	M18x1.5	ISO 8434-1-L	POT4.1318.302	231	POT4.1318.303	238
	13	2	10	74.5	78	12	15L	M22x1.5	ISO 8434-1-L	POT4.1322.302	237	POT4.1322.303	238
	13	2	10	74.5	78	12	12S	M20x1.5	ISO 8434-1-S	POT4.1320.402	239	POT4.1320.403	241
AG 8	13	2	10	75	75	13		BSP 1/2"	BS B5200	POT4.1313.702	235	POT4.1313.703	216

SPARE PARTS SEALS



NOMINAL SIZE			MALE GASKET
DNP	BG	ISO	PU(POLYURETHANE)
13	2	10	PLK.013.210

THREADS



DOCKING STATION

POS.	PART NUMBER	WEIGHT (g)
1	PPSQ.260	1100

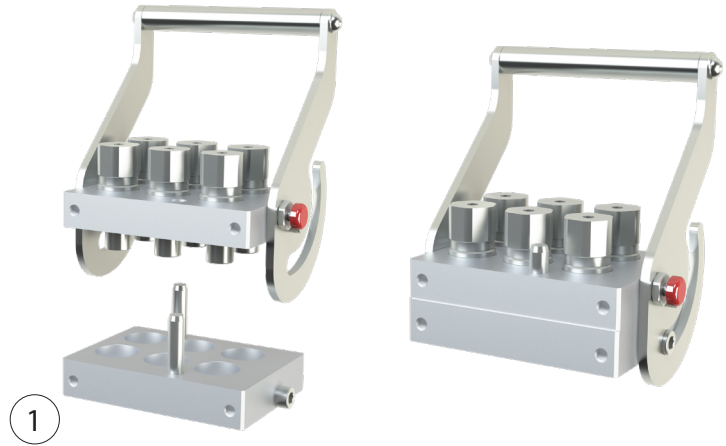
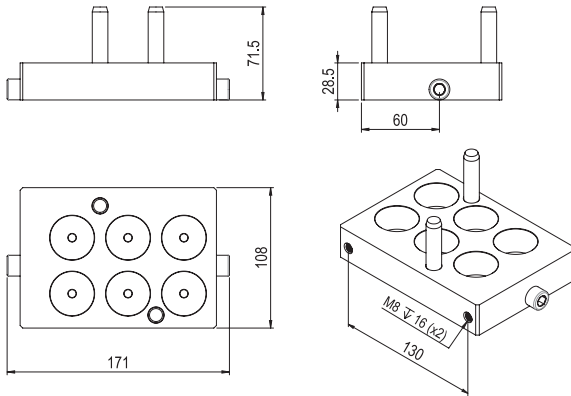


PLATE CAP

POS.	PART NUMBER	WEIGHT (g)
1	SPSQ.260	370

