



Technical data

E

- **Interchange:** ~~Stucchi DP4~~
- Occlusion: flat face
- Locking: lever with safety devices
- Material: steel and aluminum
- Finishing: Zn-Fe (Cr III), Zn-Ni, cataphoresis.
- Threads: BSP - NPT - SAE - METRIC
- Standard seals: NBR and PU
- Working temperature: -25 °C +100 °C
- Optional seals: FKM, EPDM or more.
- Working pressure: 350 bar
- Connection under residual pressure: allowed (male side only)

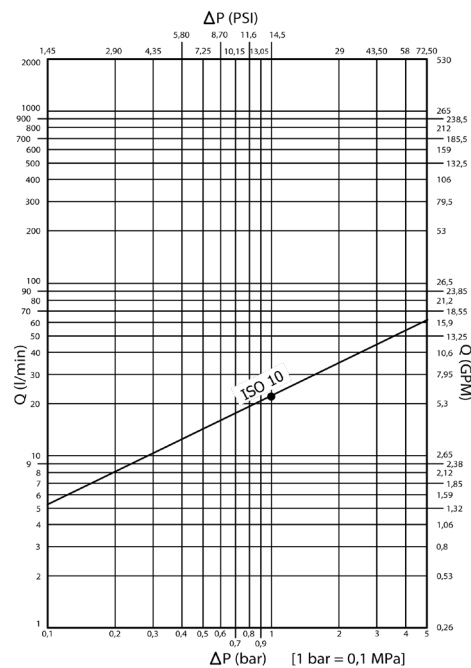
Technische Merkmale

D

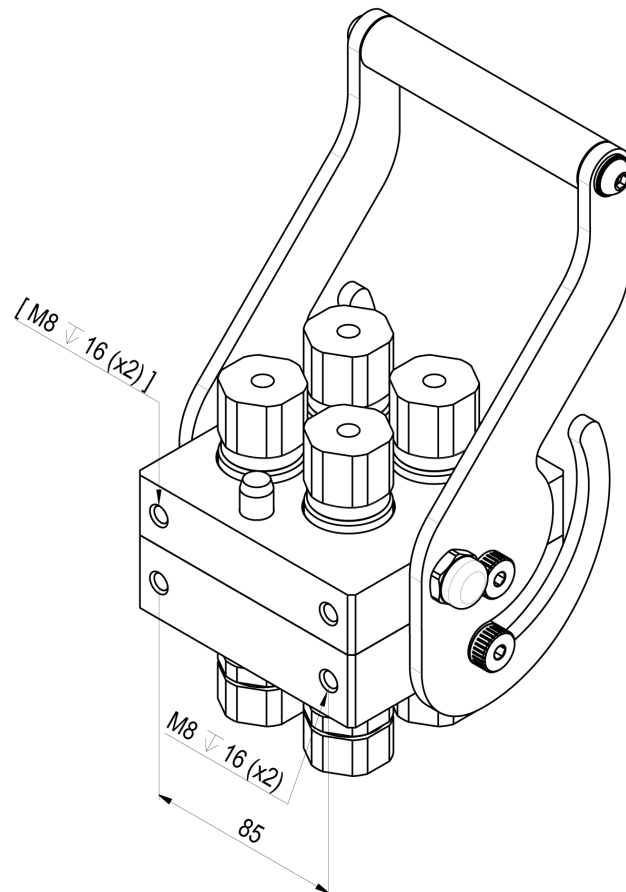
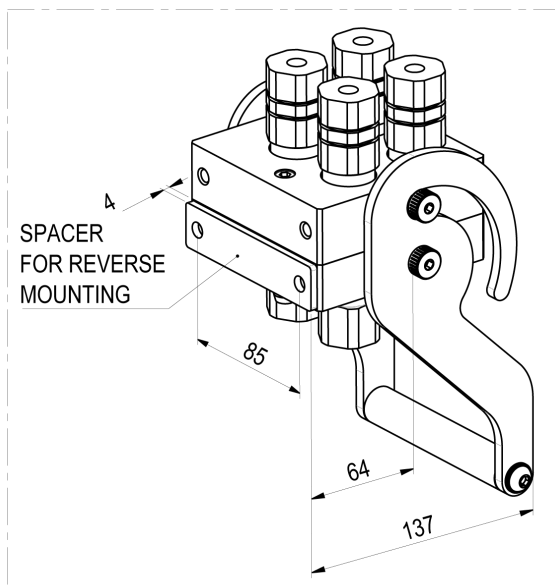
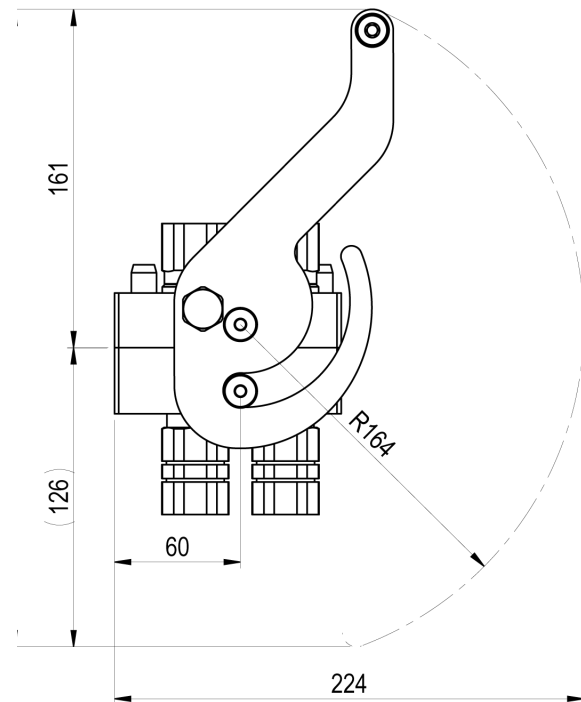
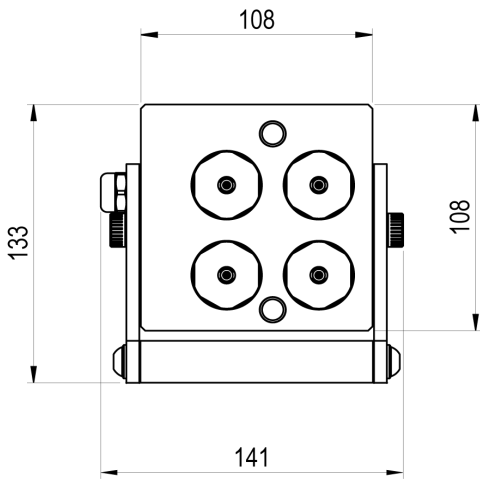
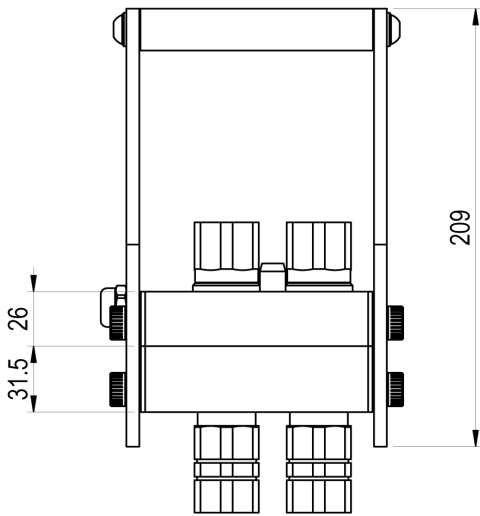
- **Norm:** ~~Stucchi DP4~~
- Verschluss: flachdichtend
- Kupplung: Hebel mit doppelter Sicherung
- Werkstoff: Stahl und Aluminum
- Ausführung: Zn-Fe (Cr III), Zn-Ni, Kataphorese.
- Gewinde: BSP – NPT – SAE – METRISCHE
- Standard-Dichtungen: NBR und PU
- Betriebstemperatur: -25 °C +100 °C
- Dichtungen nach Wahl: FKM, EPDM, usw.
- Betriebsdruck: 350 bar
- Kuppeln unter Restdruck: erlaubt (nur männliche Seite)

Nominal size				Max working pressure	Rated flow	Max flow rate	Min burst pressure			Fluid spillage
DNP	BG	ISO	Ømm				MPa	MPa	MPa	
13	2	10	8.6	35	23	46	140	140	140	0.01

1 MPa = 145.04 psi • 1 l = 0.264 gal



PSQ4 DIMENSION



PSQ4 FIXED



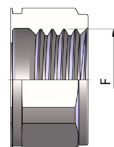
THREADS	DNP	BG	ISO	Housing	No. Couplings	Thread	STANDARD	FIXED PART CODE	
								CODE	Weight (g)
IG 1	13	2	10	4	4	BSP 1/4"	DIN 3852-2-X	PSQ4.1306.002	
	13	2	10	4	4	NPTF 1/4"	ANSI B1.20.3	PSQ4.1306.012	
	13	2	10	4	4	BSP 3/8"	DIN 3852-2-X	PSQ4.1310.112	
	13	2	10	4	4	NPTF 3/8"	ANSI B1.20.3	PSQ4.1310.012	
	13	2	10	4	4	BSP 1/2"	DIN 3852-2-X	PSQ4.1313.112	
	13	2	10	4	4	NPTF 1/2"	ANSI B1.20.3	PSQ4.1313.012	
	13	2	10	4	4	M16x1.5	ISO 6149-1	PSQ4.1316.102	
IG 2	13	2	10	4	4	9/16" - 18 UNF 2B	SAE J 1926-1	PSQ4.1315.032	
	13	2	10	4	4	3/4" - 16 UNF 2B	SAE J 1926-1	PSQ4.1319.032	
	13	2	10	4	4	M22x1.5	SAE J 2244/1	PSQ4.1322.102	
AG 5	13	2	10	4	4	BSP 1/2"	BS B5200	PSQ4.1313.702	

PSQ4 MOBILE

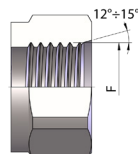


THREADS	DNP	BG	ISO	Housing	No. Couplings	Thread	STANDARD	MOBILE PART CODE	
								CODE	Weight (g)
IG 1	13	2	10	4	4	BSP 1/4"	DIN 3852-2-X	PSQ4.1306.003	
	13	2	10	4	4	NPTF 1/4"	ANSI B1.20.3	PSQ4.1306.013	
	13	2	10	4	4	BSP 3/8"	DIN 3852-2-X	PSQ4.1310.113	
	13	2	10	4	4	NPTF 3/8"	ANSI B1.20.3	PSQ4.1310.013	
	13	2	10	4	4	BSP 1/2"	DIN 3852-2-X	PSQ4.1313.113	
	13	2	10	4	4	NPTF 1/2"	ANSI B1.20.3	PSQ4.1313.013	
	13	2	10	4	4	M16x1.5	ISO 6149-1	PSQ4.1316.103	
IG 2	13	2	10	4	4	9/16" - 18 UNF 2B	SAE J 1926-1	PSQ4.1315.033	
	13	2	10	4	4	3/4" - 16 UNF 2B	SAE J 1926-1	PSQ4.1319.033	
	13	2	10	4	4	M22x1.5	SAE J 2244/1	PSQ4.1322.103	
AG 5	13	2	10	4	4	BSP 1/2"	BS B5200	PSQ4.1313.703	

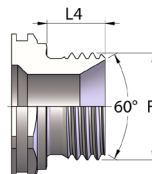
THREADS



IG 1



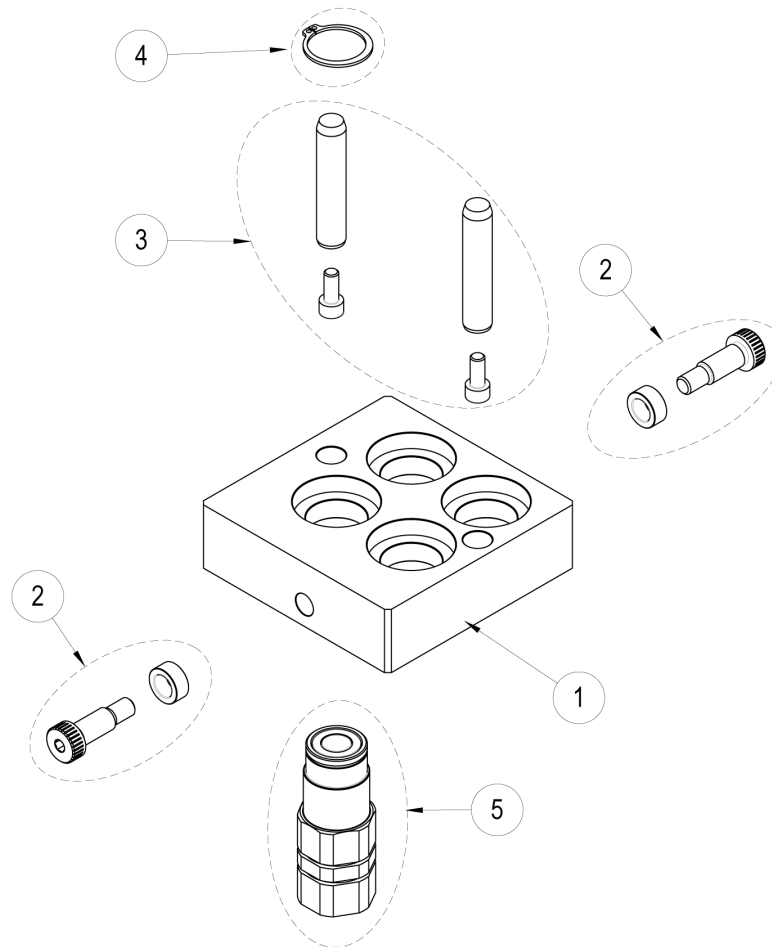
IG 2



AG 5

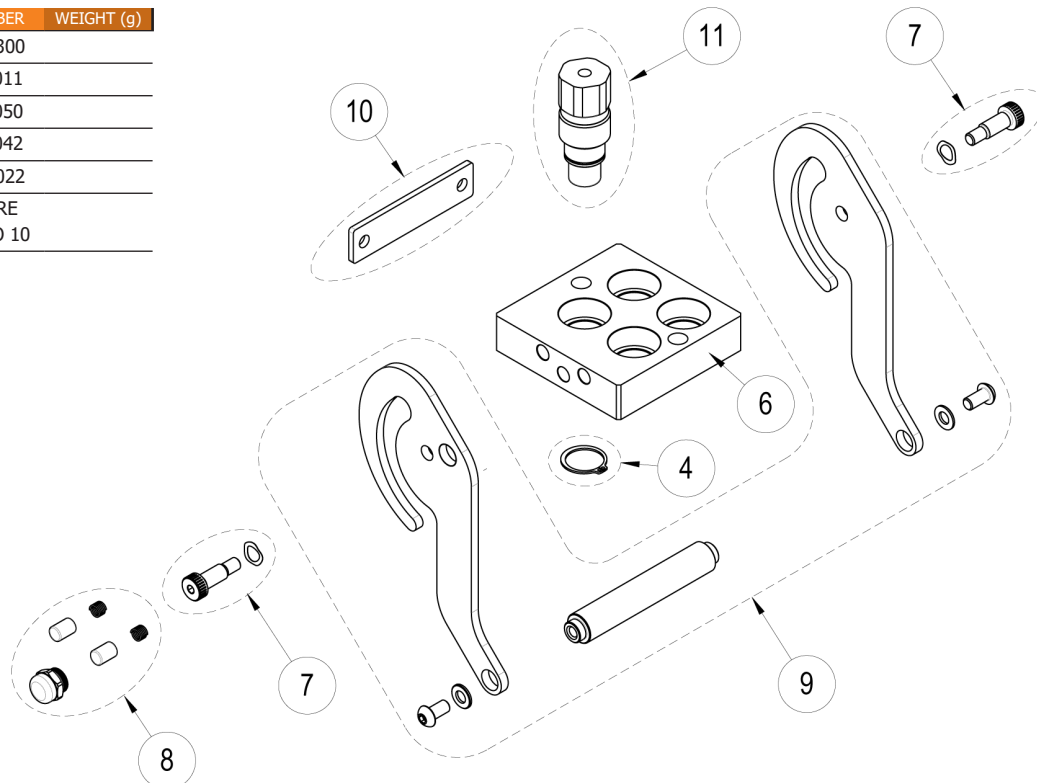
FIXED PLATE PSQ4

POS.	PART NUMBER	WEIGHT (g)
1	PSQ.240.100	
2	PSQ.KIT.020	
3	PSQ.KIT.017	
4	PSQ.000.016	
5	SEE SPARE PARTS ISO 10	

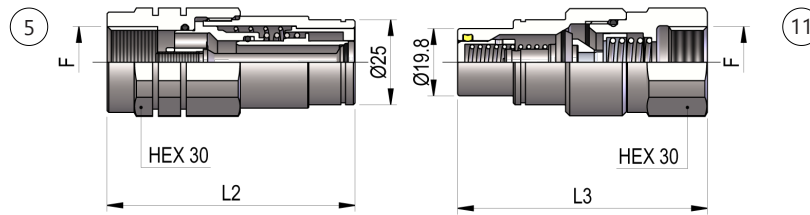


MOBILE PLATE PSQ4

POS.	PART NUMBER	WEIGHT (g)
6	PSQ.340.300	
7	PSQ.KIT.011	
8	PSQ.KIT.050	
9	PSQ.KIT.042	
10	PSQ.000.022	
11	SEE SPARE PARTS ISO 10	

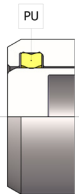


SPARE PARTS ISO 10 COUPLINGS



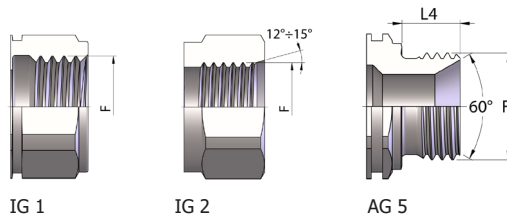
DNP	BG	ISO	L2	L3	L4	Thread F	STANDARD	SPARE PARTS CODE			
								FEMALE - MUFFE		MALE - STECKER	
13	2	10						COD. F	Weight (g)	COD. M	Weight (g)
IG 1			73.5	74		BSP 1/4"	DIN 3852-2-X	POT4.1306.112		POT4.1306.113	
			73.5	75		NPTF 1/4"	ANSI B1.20.3	POT4.1306.012		POT4.1306.013	
			73.5	74		BSP 3/8"	DIN 3852-2-X	POT4.1310.112		POT4.1310.113	
			73.5	77.5		NPTF 3/8"	ANSI B1.20.3	POT4.1310.012		POT4.1310.013	
			73.5	74		BSP 1/2"	DIN 3852-2-X	POT4.1313.112		POT4.1313.113	
			73.5	78		NPTF 1/2"	ANSI B1.20.3	POT4.1313.012		POT4.1313.013	
			73.5	74		M16x1.5	ISO 6149-1	POT4.1316.102		POT4.1316.103	
			73.5	74		M18x1.5	ISO 6149-1	POT4.1318.102		POT4.1318.103	
IG 2			72	75		9/16" - 18 UNF 2B	SAE J 1926-1	POT4.1315.032		POT4.1315.033	
			73.5	75		3/4" - 16 UNF 2B	SAE J 1926-1	POT4.1319.032		POT4.1319.033	
			74.5	75		M22x1.5	SAE J 2244/1	POT4.1322.102		POT4.1322.103	
AG 5			75	75	13	BSP 1/2"	BS B5200	POT4.1313.702		POT4.1313.703	

SPARE PARTS SEALS



NOMINAL SIZE			MALE GASKET
DNP	BG	ISO	PU (POLYURETHANE)
13	2	10	PLK.013.210

THREADS



DOCKING STATION

PLATE CAP

POS.	PART NUMBER	WEIGHT (g)
1	PPSQ.240	

POS.	PART NUMBER	WEIGHT (g)
1	SPSQ.240	

