

ISO 16028

MULTI-COUPLINGS
MULTIKUPPLUNGEN



Technical data

E

- Interchange: Faster P506
- Occlusion: flat face
- Locking: lever with safety devices
- Material: steel and aluminium
- Finishing: Zn-Fe (Cr III)
- Threads: BSP - NPT - SAE - METRIC
- Standard seals: NBR and PU
- Working temperature: -25 °C +100 °C
- Optional seals: FKM, EPDM or more
- Working pressure: 250 bar
- Connection under residual pressure: allowed (male side only)

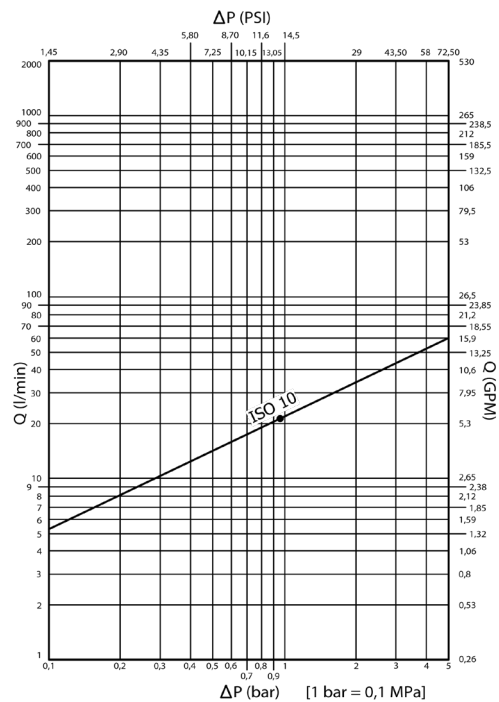
Technische Merkmale

D

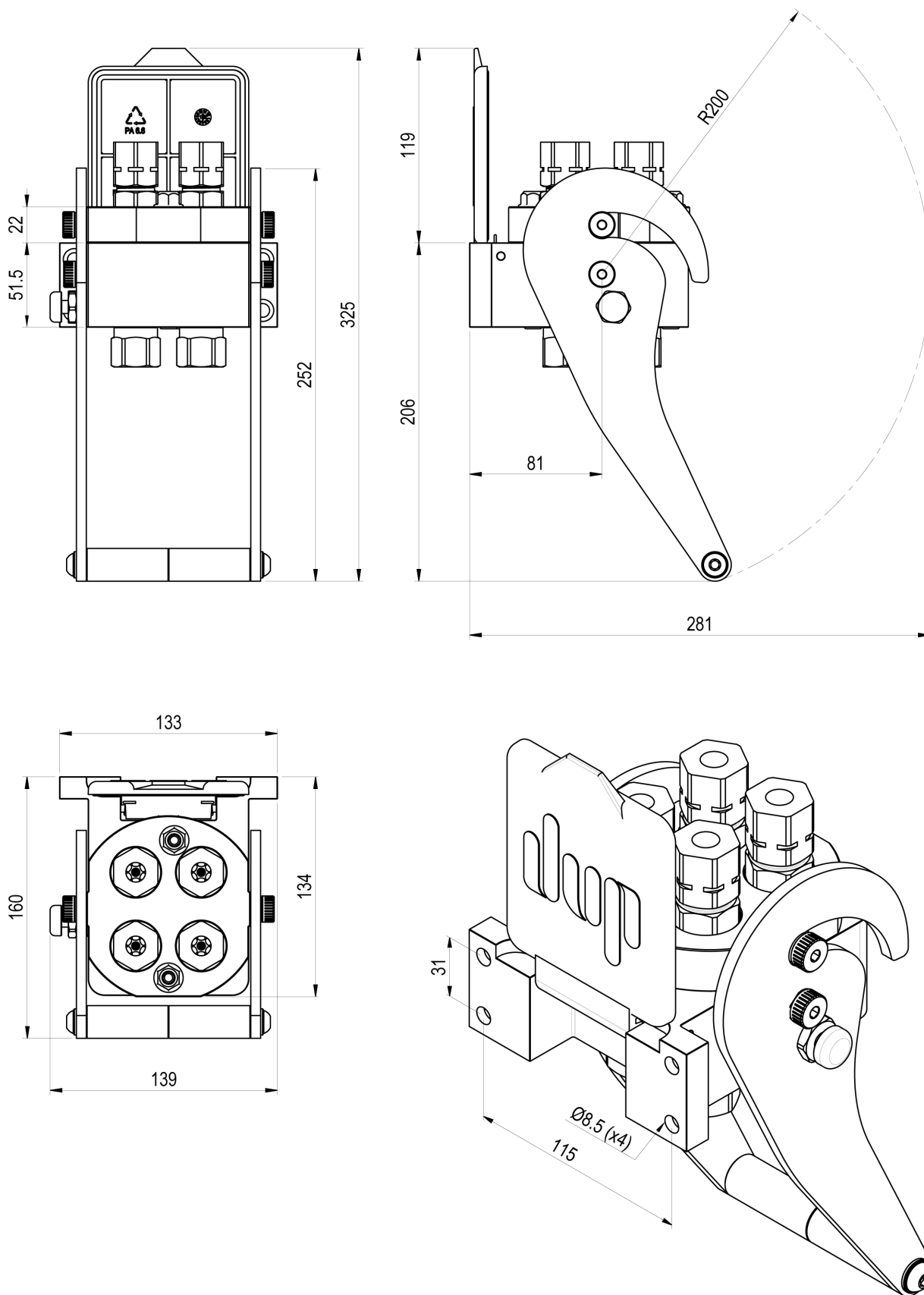
- Norm: Faster P506
- Verschluss: flachdichtend
- Kupplung: Hebel mit doppelter Sicherung
- Werkstoff: Stahl und Aluminium
- Ausführung: Zn-Fe (Cr III)
- Gewinde: BSP – NPT – SAE – METRISCHE
- Standard-Dichtungen: NBR und PU
- Betriebstemperatur: -25 °C +100 °C
- Dichtungen nach Wahl: FKM, EPDM, usw.
- Betriebsdruck: 250 bar
- Kuppeln unter Restdruck: erlaubt (nur männliche Seite)

Nominal size				Max working pressure	Rated flow	Max flow rate	Min burst pressure			Fluid spillage
DNP	BG	ISO	Ømm	MPa	l/min	l/min	Male	Female	Coupled	cc
13	2	10	8.6	25	23	46	120	120	120	0.01

1 MPa = 145.04 psi • 1 l = 0.264 gal



PSF4 DIMENSION



PSF4 FIXED



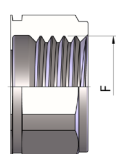
THREADS	DNP	BG	ISO	Housing	Number of Couplings	Thread	STANDARD	FIXED PARTS CODE	
								CODE	Weight (g)
IG 1	13	2	10	4	4	BSP 3/8"	DIN 3852-2-X	PSF4.4CBG.2	
	13	2	10	4	3	BSP 3/8"	DIN 3852-2-X	PSF4.3CBG.2	
	13	2	10	4	4	BSP 1/2"	DIN 3852-2-X	PSF4.4CCG.2	
	13	2	10	4	4	NPT 3/8"	ANSI B1.20.3	PSF4.4CBN.2	
	13	2	10	4	4	NPT 1/2"	ANSI B1.20.3	PSF4.4CCN.2	
IG 2	13	2	10	4	4	9/16"-18 UNF 2B	SAE J 1926-1	PSF4.4CBU.2	
	13	2	10	4	4	3/4"-16 UNF 2B	SAE J 1926-1	PSF4.4CCU.2	
AG 3	13	2	10	4	4	M16x1.5-10L	ISO 8434-1-L	PSF4.4CBL.2	
	13	2	10	4	4	M18x1.5-12L	ISO 8434-1-L	PSF4.4CCL.2	
	13	2	10	4	4	M22x1.5-15L	ISO 8434-1-L	PSF4.4CEL.2	
	13	2	10	4	4	M20x1.5-12S	ISO 8434-1-S	PSF4.4CDS.2	
AG 4	13	2	10	4	4	M26x1.5-18L	ISO 8434-1-L	PSF4.4CGL.2	
AG 4	13	2	10	4	4	13/16"-16 UN	ISO 8434-3	PSF4.4CCO.2	

PSF4 MOBILE

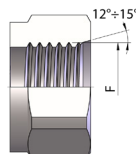


THREADS	DNP	BG	ISO	Housing	Number of Couplings	Thread	STANDARD	MOBILE PARTS CODE	
								CODE	Weight (g)
IG 1	13	2	10	4	4	BSP 3/8"	DIN 3852-2-X	PSF4.4CBG.3	
	13	2	10	4	3	BSP 3/8"	DIN 3852-2-X	PSF4.3CBG.3	
	13	2	10	4	4	BSP 1/2"	DIN 3852-2-X	PSF4.4CCG.3	
	13	2	10	4	4	NPT 3/8"	ANSI B1.20.3	PSF4.4CBN.3	
	13	2	10	4	4	NPT 1/2"	ANSI B1.20.3	PSF4.4CCN.3	
IG 2	13	2	10	4	4	9/16"-18 UNF 2B	SAE J 1926-1	PSF4.4CBU.3	
	13	2	10	4	4	3/4"-16 UNF 2B	SAE J 1926-1	PSF4.4CCU.3	
AG 3	13	2	10	4	4	M16x1.5-10L	ISO 8434-1-L	PSF4.4CBL.3	
	13	2	10	4	4	M18x1.5-12L	ISO 8434-1-L	PSF4.4CCL.3	
	13	2	10	4	4	M22x1.5-15L	ISO 8434-1-L	PSF4.4CEL.3	
	13	2	10	4	4	M20x1.5-12S	ISO 8434-1-S	PSF4.4CDS.3	
AG 4	13	2	10	4	4	M26x1.5-18L	ISO 8434-1-L	PSF4.4CGL.3	
AG 4	13	2	10	4	4	13/16"-16 UN	ISO 8434-3	PSF4.4CCO.3	

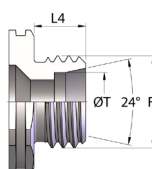
THREADS



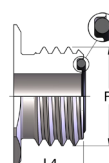
IG 1



IG 2



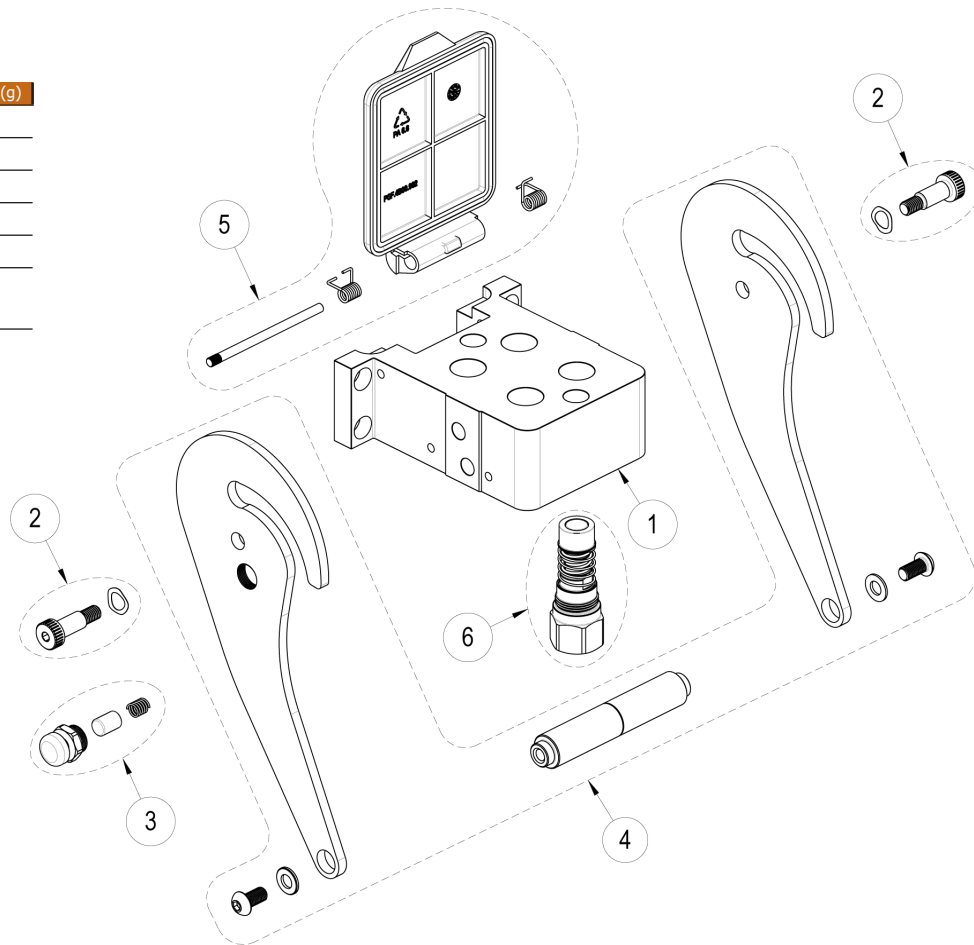
AG 3



AG 4

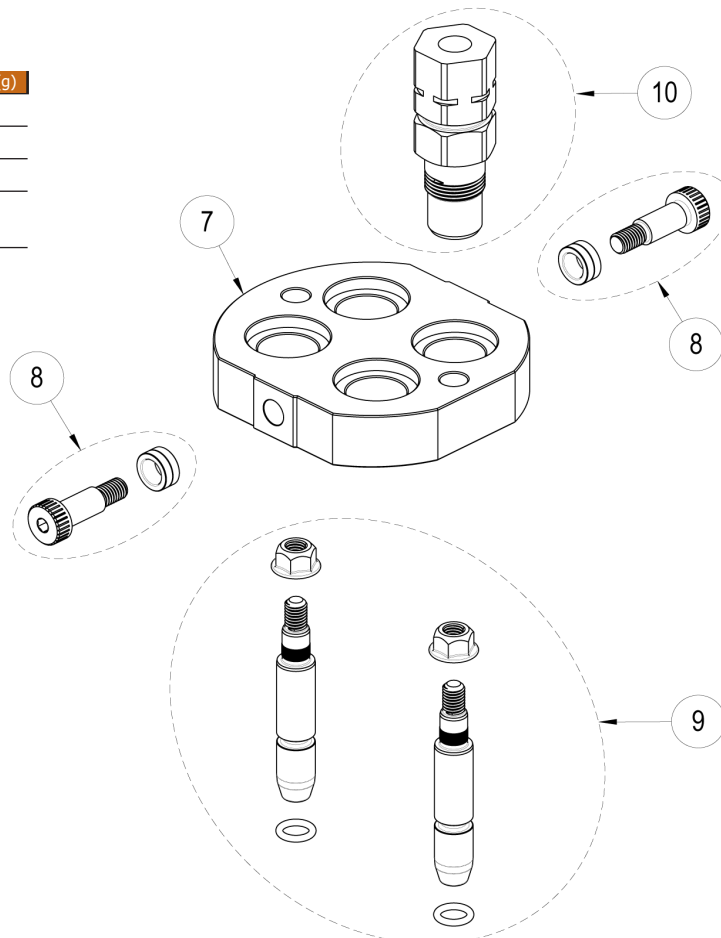
FIXED PLATE PSF4

POS.	PART NUMBER	WEIGHT (g)
1	PSF.4B00.102	1370
2	PSQ.KIT.011	51
3	PSF.KIT.050	33
4	PSF.KIT.042	1505
5	PSF.KIT.4902	114
6	SEE SPARE PARTS ISO 10	

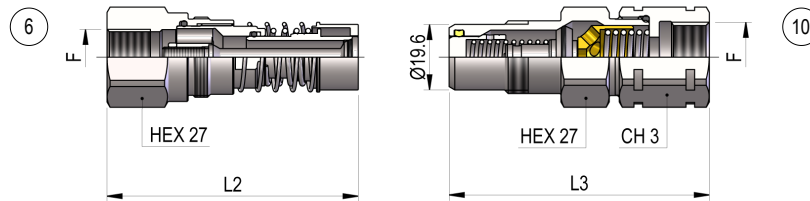


MOBILE PLATE PSF4

POS.	PART NUMBER	WEIGHT (g)
7	PSF.4B00.103	438
8	PSF.KIT.020	61
9	PSF.KIT.017	169
10	SEE SPARE PARTS ISO 10	

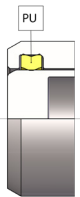


SPARE PARTS ISO 10



DNP	BG	ISO	L2	CH3	L3	L4	ØT	Thread F	STANDARD	SPARE PARTS CODE			
										FEMALE - MUFFE		MALE - STECKER	
13	2	10								COD. F	Weight (g)	COD. M	Weight (g)
IG 1			75.3	27	78			BSP 3/8"	DIN 3852-2-X	POF4.1310.112 R	150	POF4.1310.113	188
			75.3	27	78			BSP 1/2"	DIN 3852-2-X	POF4.1313.112 R	135	POF4.1313.113	179
			75.3	30	81			NPT 3/8"	ANSI B1.20.3	POF4.1310.012 R		POF4.1310.013	
			79.3	30	81			NPT 1/2"	ANSI B1.20.3	POF4.1313.012 R		POF4.1313.013	
IG 2			75.4	30	78			9/16"-18 UNF 2B	SAE J 1926-1	POF4.1319.032 R		POF4.1319.033	
			75.3	30	78			3/4"-16 UNF 2B	SAE J 1926-1	POF4.1315.032 R		POF4.1315.033	208
AG 3			83.3	27	76	11	10L	M16x1.5	ISO 8434-1-L	POF4.1316.302 R		POF4.1316.303	
			83.3	27	76	11	12L	M18x1.5	ISO 8434-1-L	POF4.1318.302 R	160	POF4.1318.303	164
			84.3	27	77	12	15L	M22x1.5	ISO 8434-1-L	POF4.1322.302 R	165	POF4.1322.303	169
			84.3	27	77	12	12S	M20x1.5	ISO 8434-1-S	POF4.1320.402 R	170	POF4.1320.403	184
AG 4			85.3	27	78	13		13/16"-16 UN	ISO 8434-3	POF4.1321.432 R		POF4.1321.433	

SPARE PARTS



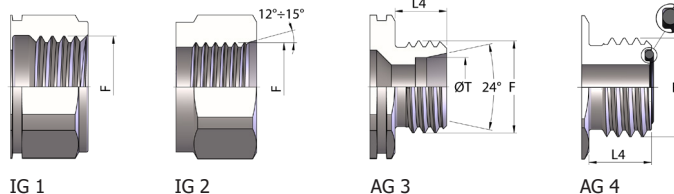
NOMINAL SIZE			MALE GASKET	
DNP	BG	ISO	PU (POLIURETHANE)	
13	2	10	PLK.013.210	

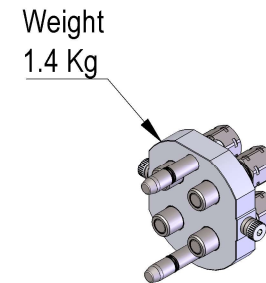
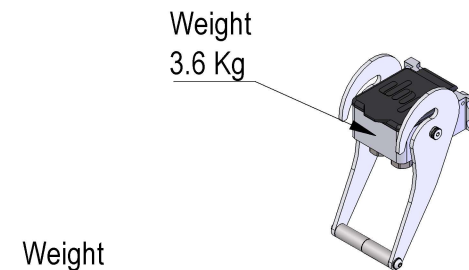
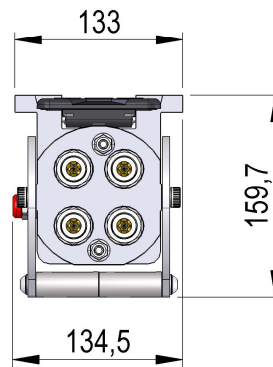
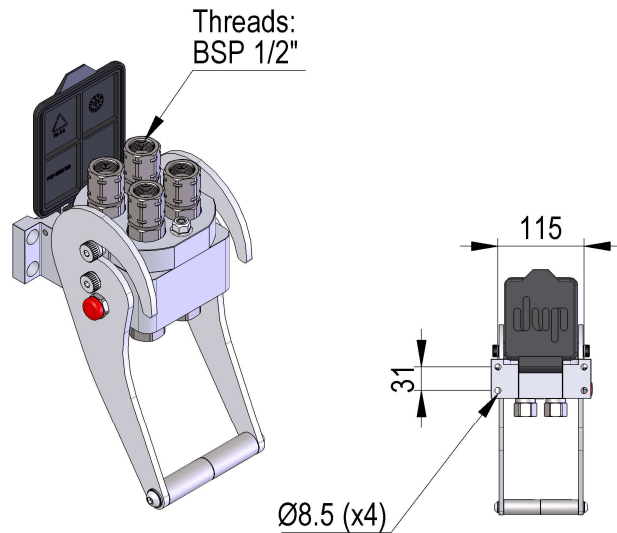
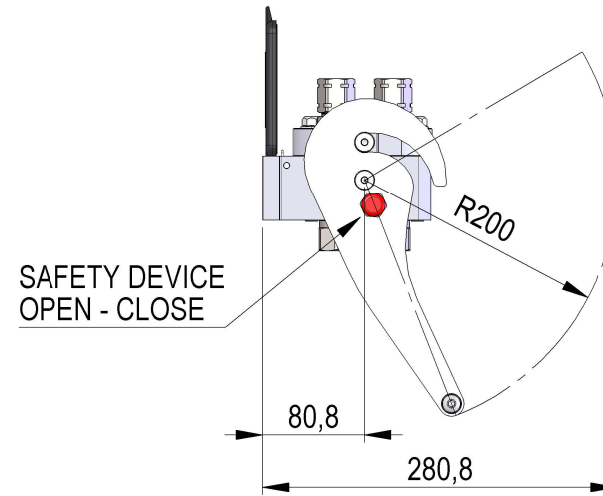
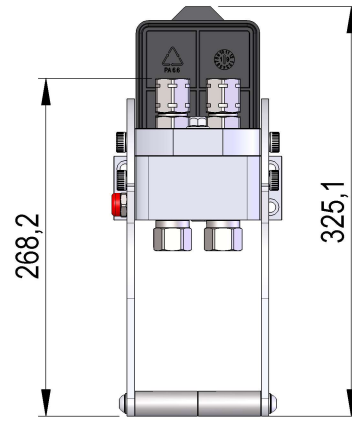
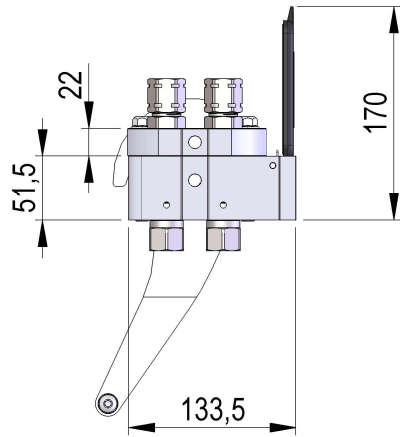
PLUGS



NOMINAL SIZE			MATERIAL	COLOR
DNP	BG	ISO	PVC	BLACK
13	2	10	TPOF13	●

THREADS



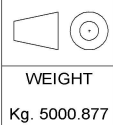


WORKING PRESSURE = 25MPa (3626 PSI)



D.N.P. Industriale Srl
20861 Brugherio (MB) ITALY
Tel. + 39 039877451

Property of
D.N.P. Industriale Srl



WEIGHT
Kg. 5000.877

SCALE
1:6

DRAW
Fontana

DATE
17-04-2019

DENOMINATION
MULTICOUPLINGS PSF4 ISO 10 - G 1/2"

DATE
17-04-2019

CONTROL
Tosoni

CODE

PSF4.4CCG.2_3