

PUSH PULL

VALVOLA
POPPET
VENTIL
CLAPET

Caratteristiche tecniche I

- Norma: ISO 7241 A
- Ghiera: doppia azione
- Occlusione: valvola
- Aggancio: sfere radiali
- Materiale: acciaio
- Finitura: Zn-Fe (Cr III)
- Filettature: BSP - NPT - SAE - METRICHE
- Guarnizioni standard: NBR
- Temperatura d'esercizio: -25 °C +100 °C
- Guarnizioni opzionali: FKM, EPDM o altro
- Pressioni di esercizio: 250 bar
- Connessione in pressione: non consentita

Technical data E

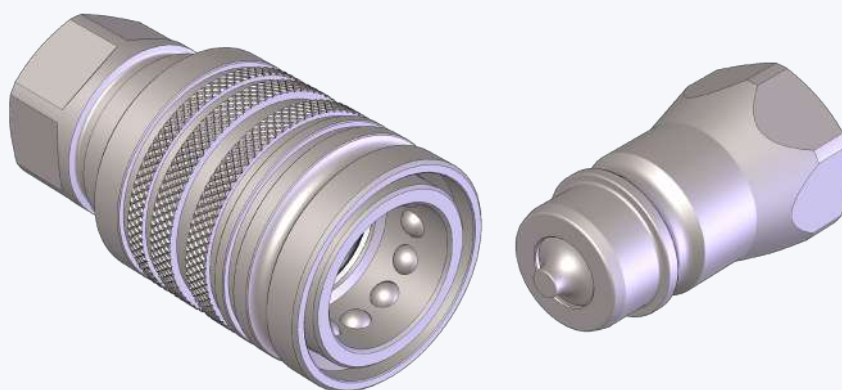
- Standard: ISO 7241 A
- Sleeve: double acting
- Occlusion: poppet
- Locking: radial balls
- Material: steel
- Finishing: Zn-Fe (Cr III)
- Threads: BSP - NPT - SAE - METRICS
- Standard seals: NBR
- Working temperature: -25 °C +100 °C
- Optional seals: FKM, EPDM or more
- Working pressure: 250 bar
- Connection under pressure: not allowed

Technische Merkmale D

- Norm: ISO 7241 A
- Hülse: doppelwirkend
- Verschluss: ventil
- Kupplung: Radial Kugeln
- Werkstoff: Stahl
- Ausführung: Zn-Fe (Cr III)
- Gewinde: BSP - NPT - SAE - METRISCHE
- Standard-Dichtungen: NBR
- Betriebstemperatur: -25 °C +100 °C
- Dichtungen nach Wahl: FKM, EPDM, usw.
- Betriebsdruck: 250 bar
- Kuppeln unter Druck: nicht möglich

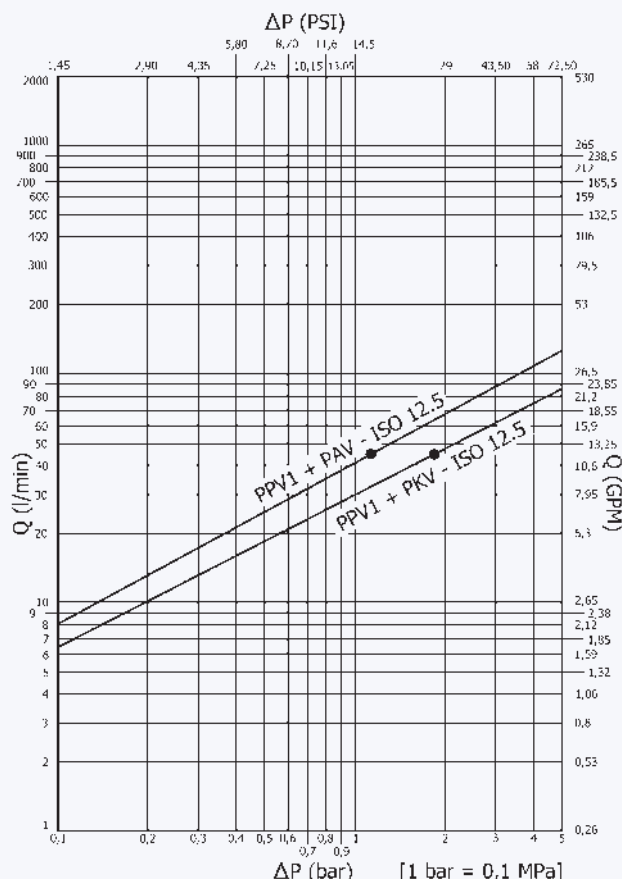
Caracteristiques techniques F

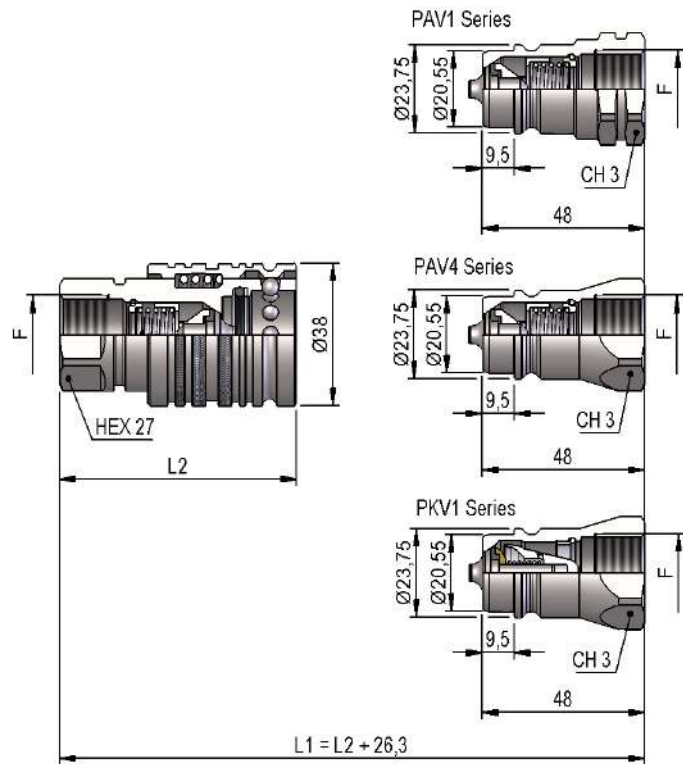
- Norme: ISO 7241 A
- Douille: double action
- Obturation: clapet
- Accrochage: billes radiales
- Matériel: acier
- Traitement: Zn-Fe (Cr III)
- Taraudage: BSP - NPT - SAE - METRIQUES
- Joints standard: NBR
- Température de service: -25 °C +100 °C
- Joints facultatifs: FKM, EPDM, ect.
- Pression de service: 250 bar
- Connexion sous pression: pas possible



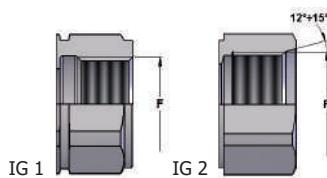
Nominal size				Max working pressure	Rated flow	Max flow rate	Min burst pressure			Fluid spillage
DNP	BG	ISO	mm	MPa	l/min	l/min	Male	Female	Coupled	cc
13	3	12.5	10.5	25	45	90	100	160	120	2.7

1 MPa = 145.04 psi • 1 l = 0.264 gal



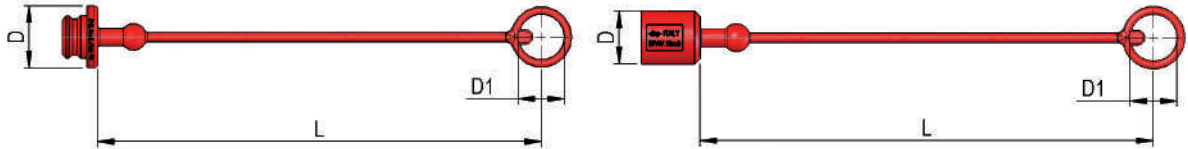
PPV1 DN13 - BG 3 - ISO 12.5


THREADS	CH3	L2	F	STANDARD	FEMMINA - FEMALE - MUFFE - FEMELLE			MASCIO - MALE - STECKER - MALE		
					COD. F	Weight (g)	Packaging (pcs.)	COD. M	Weight (g)	Packaging (pcs.)
IG 1	27	70	BSP 1/2"	DIN 3852-2-X	PPV1.1313.002	298	50	PAV1.1313.003	97	200
	27		BSP 1/2"	DIN 3852-2-X				PAV4.1313.003	94	200
	27		BSP 1/2"	DIN 3852-2-X				PKV1.1313.003	99	200
	27	70	NPT 1/2"	ANSI B1.20.3	PPV1.1313.012	300	50	PAV1.1313.013	98	200
	27		NPT 1/2"	ANSI B1.20.3				PKV1.1313.013	100	200
	32		NPT 3/4"	ANSI B1.20.3				PKV1.1319.013	135	110
IG 2	27	66.5	M22x1.5	SAE J 2244/1	PPV1.1322.102	280	50	PAV1.1322.103	90	200
	27	70	3/4"-16 UNF 2B	SAE J 1926-1	PPV1.1319.032	305	50	PAV4.1319.033	101	200
	27		3/4"-16 UNF 2B	SAE J 1926-1				PKV1.1319.033	103	200
	27		7/8"-14 UNF 2B	SAE J 1926-1				PKV1.1323.033	90	200

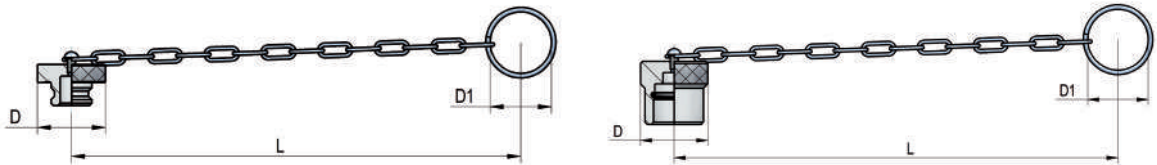
THREADS


PLASTIC CAPS

NOMINAL SIZE		FEMALE DUST PLUG						MALE DUST CAP						COLOR	MATERIAL
DNP	BG	ISO	COD. F	Dimensions			Weight (g)	COD. M	Dimensions			Weight (g)			
				D	L	D1			D	L	D1				
13	3	12.5	SPAV.13002	35	250	26	20	SPAV.13003	29	250	26	21	●	PVC	
13	3	12.5	SPAV.13012	35	250	26	20	SPAV.13013	29	250	26	21	●	PVC	
13	3	12.5	SPAV.13022	35	250	26	20	SPAV.13023	29	250	26	21	●	PVC	
13	3	12.5	SPAV.13032	35	250	26	20	SPAV.13033	29	250	26	21	●	PVC	
13	3	12.5	SPAV.13042	35	250	26	20	SPAV.13043	29	250 <td 26	21	●	PVC		
13	3	12.5	SPAV.13052	35	250	26	20	SPAV.13053	29	250	26	21	○	PVC	
13	3	12.5	SPAV.13062	35	250	26	20	SPAV.13063	29	250	26	21	●	PVC	


METAL CAPS

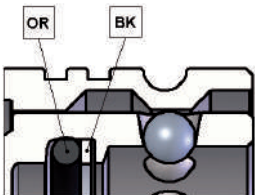
NOMINAL SIZE		FEMALE DUST PLUG						MALE DUST CAP						MATERIAL
DNP	BG	ISO	COD. F	Dimensions			Weight (g)	COD. M	Dimensions			Weight (g)		
				D	L	D1			D	L	D1			
13	3	12.5	SPAV.13202	38	205	32	51	SPAV.13203	38	205	32	70	Aluminum	


AUTOMATIC CAPS

NOMINAL SIZE		AUTOMATIC FEMALE CAP						AUTOMATIC MALE CAP						COLOR	MATERIAL
DNP	BG	ISO	COD. F	Dimensions		Weight (g)	COD. M	Dimensions		Weight (g)					
				D	S			D	S						
13	3	12.5	SPPV.13302	46	18.4	24	SPPV.13303	46	33	60	●	Nylon			
13	3	12.5	SPPV.13312	46	18.4	24	-	-	-	-	●	Nylon			
13	3	12.5	SPPV.13322	46	18.4	24	-	-	-	-	●	Nylon			
13	3	12.5	SPPV.13332	46	18.4	24	SPPV.13333	46	33	60	●	Nylon			
13	3	12.5	SPPV.13342	46	18.4	24	SPPV.13343	46	33	60	●	Nylon			


SPARE PARTS

NOMINAL SIZE		FEMALE GASKET			
DNP	BG	ISO	OR (NBR*)	BK (PTFE)	
13	3	12.5	PAV.013.120	PAV.013.130	



- *AL CODICE DELLA GUARNIZIONE IN NBR AGGIUNGERE 'E' PER EPDM O 'V' PER VITON
- *TO THE NBR GASKET CODE ADD 'E' FOR EPDM OR 'V' FOR VITON
- *ZU DER ARTIKELNR. DER NBR DICHTUNG GEBEN SIE 'E' FUER EPDM ODER 'V' FUER VITON AN
- *AU CODE DU JOINT EN NBR JOINDRE 'E' POUR EPDM OU 'V' POUR VITON