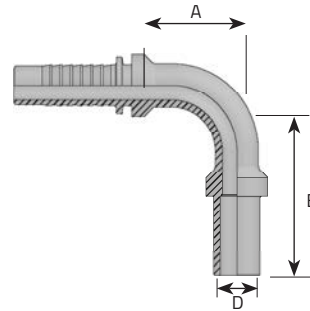


STANDARD FITTINGS
STANDPIPE 90° ELBOW

ERMETO 90°
 EMBOUT LISSE 90°
 BEL / S 90°
 CODO 90°



Code	Tube		Thread	Dimensions			Pressure	
	D.N.	Hose Inch		Diam mm	D mm	A mm	B mm	Bar
P90L0306	-3	3/16"	4.8	6	25	41.5	415	6019
P90L0406	-4	1/4"	6.4	6	25	43	415	6019
P90L0408	-4	1/4"	6.4	8	24	43	450	6526
P90L0510	-5	5/16"	7.9	10	32	51	350	5076
P90L0612	-6	3/8"	9.5	12	33	53	445	6454
P90L0815	-8	1/2"	12.8	15	39	60.5	250	3626
P90L1018	-10	5/8"	16	18	49	69	160	2320
P90L1222	-12	3/4"	19	22	58	76	160	2320
P90L1628	-16	1"	25.4	28	74	88	100	1450