



GN

2-WAY HIGH PRESSURE BALL VALVES

Edition. 21.1

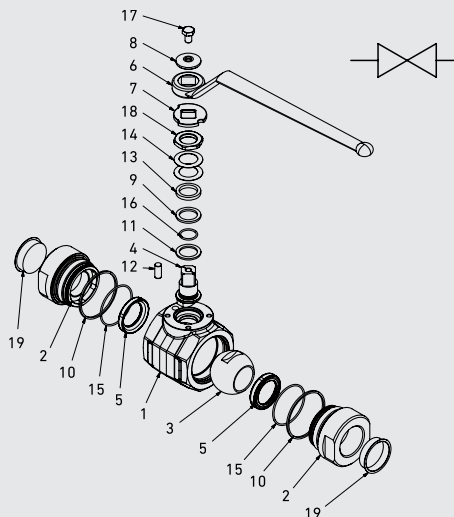
CS Carbon Steel

- Type: ball valve 2way
- Sizes: from DN6 to DN50
- Ends: BSP-NPT-SW-SWXT
-PE BW
- O-Rings: NBR, FKM, EPDM, MVQ
- Pressure: up to PN500 / S6000
- Temp range: -46°C to +250°C

SS Stainless Steel

- Type: ball valve 2way
- Sizes: from DN6 up to DN50
- Ends: BSP-NPT-SW-SWXT
-PE BW
- O-Rings: NBR, FKM, EPDM, MVQ
- Pressure: up to PN500 / S6000
- Temp range: -30°C to +100°C

STANDARD COMPOSITION OF VALVE



POS	DESCRIPTION	Q.TY	CS	SS	POS	DESCRIPTION	Q.TY	CS	SS
			Carbon Steel	Stainless Steel				Carbon Steel	Stainless Steel
			MATERIAL					MATERIAL	
1	Body	1	ASTM A350 LF2	ASTM A182 F316	11	Stem ring	2	PTFE	PTFE
2	Adapter	2	ASTM A350 LF2	ASTM A182 F316	12	Spine	1	AISI 316	AISI 316
3	Ball	1	ASTM A479 Tp.316	ASTM A479 Tp.316	13	Press ring	1	AISI 316	AISI 316
4	Stem	1	ASTM A479 Tp.316	ASTM A479 Tp.316	14	Spring	2	AISI 316	AISI 316
5	Ball seat	2	POM	POM	15	Adapter o-ring	2	NBR	NBR
6	Handle	1	Fe37	Fe37	16	Stem o-ring	1	NBR	NBR
7	Washer	1	AISI 316	AISI 316	17	Screw	1	ISO 4762 A4	ISO4762 A4
8	Washer	1	AISI 316	AISI 316	18	Nut	1	AISI 316	AISI 316
9	Body ring	1	Graphite	Graphite	19	Caps	2	PVC	PVC
10	Adapter ring	2	Graphite	Graphite					



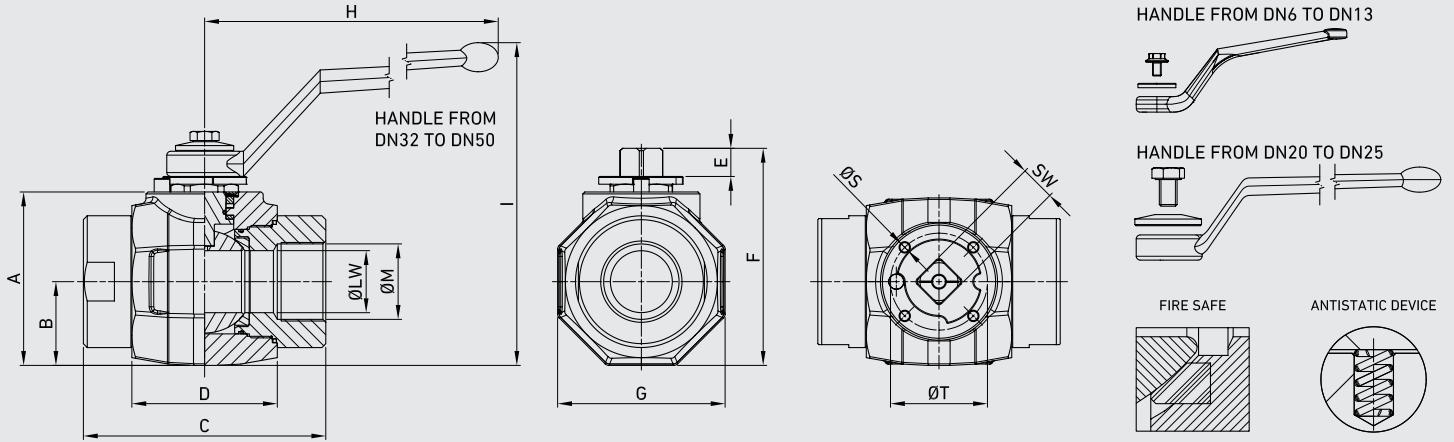
CODE DESCRIPTION STRUCTURE

		GN	G1 1/2	DN13	A105	F316	POM	B
Type and way of valve								
GN 2-way								
Ends								
GAS DIN/ ISO 228 BSP	NPT ANSI /ASME B1.20.1	SW	SW EXTRALONG	PE				
G 1/4	N 1/4	SW 1/4	SWXT 1/4	PE 1/4				
G 3/8	N 3/8	SW 3/8	SWXT 3/8	PE 3/8				
G 1/2	N 1/2	SW 1/2	SWXT 1/2	PE 1/2				
G 3/4	N 3/4	SW 3/4	SWXT 3/4	PE 3/4				
G 1	N 1	SW 1	SWXT 1	PE 1				
G 1 1/4	N 1 1/4	SW 1 1/4	SWXT 1 1/4	PE 1 1/4				
G 1 1/2	N 1 1/2	SW 1 1/2	SWXT 1 1/2	PE 1 1/2				
G 2	N 2	SW 2	SWXT 2	PE 2				
Sizes								
DN6								
DN10								
DN13								
DN20								
DN25								
DN32								
DN40								
DN50								
Body and adapter material								
● LF2								
● F316								
Stem and ball material								
● F316								
● F316								
Ball seat material								
A = POM D = PEEK*								
Adapter and stem seal material								
B = NBR E = FKM* F = EPDM* L = MVQ*								

***On request**

- Reduced bore
- Special threads
- Pressure class up to PN500 or 6000 Psi
- Locking device
- Pneumatic and electrical actuator

For further special requests please consult our technical/commercial service.


GN DIN/ISO 228 BSP

TYPE	DN		A	B	C	D	E	F	ØG*	H	I	ØLW	ØM	ØS	ISO 5211	ØT	SW	WEIGHT	
GN G 1/4	6	mm	48,5	22	72	44	9,4	65	45	107	108	6	G 1/4	M5	F03	36	9	kg	0,82
		inch	1,91	0,87	2,83	1,73	0,37	2,56	1,77	4,21	4,25	0,24						1,42	0,35
GN G 3/8	10	mm	48,5	22	73	44	9,4	65	45	107	108	10	G 3/8	M5	F03	36	9	kg	0,82
		inch	1,91	0,87	2,87	1,73	0,37	2,56	1,77	4,21	4,25	0,39						1,42	0,35
GN G 1/2	13	mm	53	24	81	48	9,4	70	49	107	113	13	G 1/2	M5	F03	36	9	kg	1,041
		inch	2,09	0,94	3,19	1,89	0,37	2,76	1,93	4,21	4,45	0,51						1,42	0,35
GN G 3/4	20	mm	66	30	98	62	13,4	88	61	200	123	20	G 3/4	M6	F05	50	14	kg	2,089
		inch	2,60	1,18	3,86	2,44	0,53	3,46	2,40	7,87	4,84	0,79						1,97	0,55
GN G 1	25	mm	76	36	106	66	13,4	98	73	200	133	25	G 1	M6	F05	50	14	kg	2,822
		inch	2,99	1,42	4,17	2,60	0,53	3,86	2,87	7,87	5,24	0,98						1,97	0,55
GN G 1 1/4	32	mm	89,5	43	126	75	14,5	112	86	310	166	32	G 1 1/4	M6	F05	50	17	kg	4,508
		inch	3,52	1,69	4,96	2,95	0,57	4,41	3,39	12,20	6,54	1,26						1,97	0,67
GN G 1 1/2	40	mm	106	53	135	85	14	129	106	310	184	40	G 1 1/2	M6	F05	50	17	kg	6,89
		inch	4,17	2,09	5,31	3,35	0,55	5,08	4,17	12,20	7,24	1,57						1,97	0,67
GN G 2	50	mm	116	59	160	98	13,5	138	118	310	194	50	G 2	M6	F05	50	17	kg	9,628
		inch	4,57	2,32	6,30	3,86	0,53	5,43	4,65	12,20	7,64	1,97						1,97	0,67

(POM SEAL)

GN DIN/ISO 228 PN

DN	PN	CS	SS
		Carbon Steel	Stainless Steel
		ITEM CODE	
6	MPa 50	GN2GGT15024A000	GN2GGT15044A000
	Psi 7250		
10	MPa 50	GN2GGT25024A000	GN2GGT25044A000
	Psi 7250		
13	MPa 50	GN2GGT35024A000	GN2GGT35044A000
	Psi 7250		
20	MPa 42	GN2GGT44024A000	GN2GGT44044A000
	Psi 6090		
25	MPa 42	GN2GGT53024A000	GN2GGT53044A000
	Psi 6090		
32	MPa 42	GN2GGT63024A000	GN2GGT63044A000
	Psi 6090		
40	MPa 42	GN2GGT73024A000	GN2GGT73044A000
	Psi 6090		
50	MPa 42	GN2GGT83024A000	GN2GGT83044A000
	Psi 6090		

(PEEK SEAL)

GN DIN/ISO 228 PN

DN	PN	CS	SS
		Carbon Steel	Stainless Steel
		ITEM CODE	
6	MPa 41,4	GN2GGT15024P000	GN2GGT15044P000
	Psi 6000		
10	MPa 41,4	GN2GGT25024P000	GN2GGT25044P000
	Psi 6000		
13	MPa 41,4	GN2GGT35024P000	GN2GGT35044P000
	Psi 6000		
20	MPa 41,4	GN2GGT44024P000	GN2GGT44044P000
	Psi 6000		
25	MPa 41,4	GN2GGT53024P000	GN2GGT53044P000
	Psi 6000		
32	MPa 41,4	GN2GGT63024P000	GN2GGT63044P000
	Psi 6000		
40	MPa 41,4	GN2GGT73024P000	GN2GGT73044P000
	Psi 6000		
50	MPa 41,4	GN2GGT83024P000	GN2GGT83044P000
	Psi 6000		

(POM SEAL)

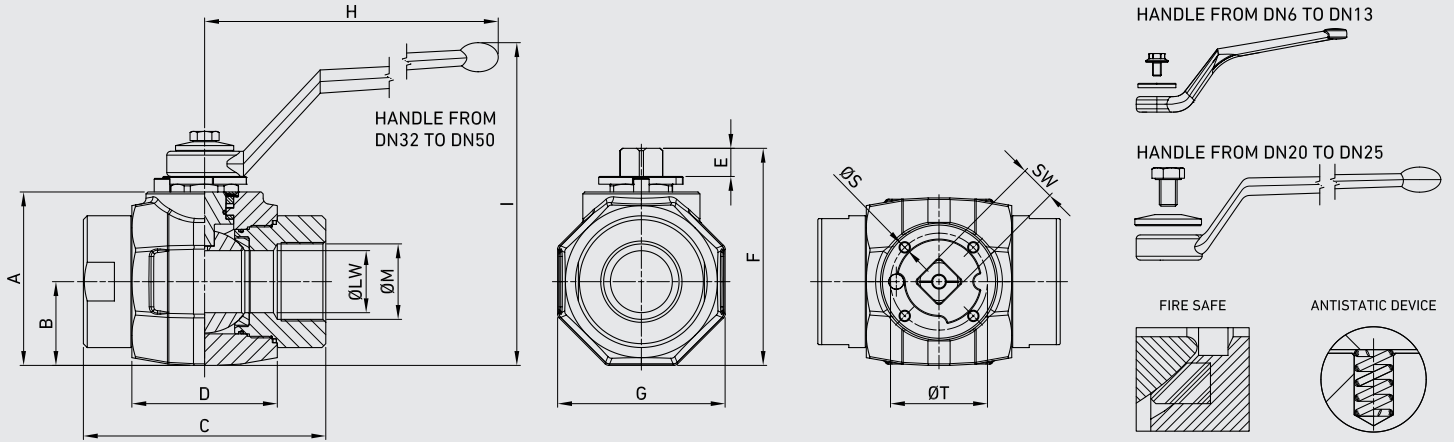
GN DIN/ISO 228 S6000

DN	PN	CS	SS
		Carbon Steel	Stainless Steel
		ITEM CODE	
6	MPa 50	GN2GGT1G024A000	GN2GGT1G044A000
	Psi 7250		
10	MPa 50	GN2GGT2G024A000	GN2GGT2G044A000
	Psi 7250		
13	MPa 50	GN2GGT3G024A000	GN2GGT3G044A000
	Psi 7250		
20	MPa 42	GN2GGT4G024A000	GN2GGT4G044A000
	Psi 6090		
25	MPa 42	GN2GGT5G024A000	GN2GGT5G044A000
	Psi 6090		
32	MPa 42	GN2GGT6G024A000	GN2GGT6G044A000
	Psi 6090		
40	MPa 42	GN2GGT7G024A000	GN2GGT7G044A000
	Psi 6090		
50	MPa 42	GN2GGT8G024A000	GN2GGT8G044A000
	Psi 6090		

(PEEK SEAL)

GN DIN/ISO 228 S6000

DN	PN	CS	SS
		Carbon Steel	Stainless Steel
		ITEM CODE	
6	MPa 41,4	GN2GGT1G024P000	GN2GGT1G044P000
	Psi 6000		
10	MPa 41,4	GN2GGT2G024P000	GN2GGT2G044P000
	Psi 6000		
13	MPa 41,4	GN2GGT3G024P000	GN2GGT3G044P000
	Psi 6000		
20	MPa 41,4	GN2GGT4G024P000	GN2GGT4G044P000
	Psi 6000		
25	MPa 41,4	GN2GGT5G024P000	GN2GGT5G044P000
	Psi 6000		
32	MPa 41,4	GN2GGT6G024P000	GN2GGT6G044P000
	Psi 6000		
40	MPa 41,4	GN2GGT7G024P000	GN2GGT7G044P000
	Psi 6000		
50	MPa 41,4	GN2GGT8G024P000	GN2GGT8G044P000
	Psi 6000		


GN ANSI/ASME B1.20.1 NPT

TYPE	DN		A	B	C	D	E	F	ØG*	H	I	ØLW	ØM	ØS	ISO 5211	ØT	SW	WEIGHT	
GN N 1/4	6	mm	48,5	22	72	44	9,4	65	45	107	108	6	N 1/4	M5	F03	36	9	kg	0,82
		inch	1,91	0,87	2,83	1,73	0,37	2,56	1,77	4,21	4,25	0,24						1,42	0,35
GN N 3/8	10	mm	48,5	22	73	44	9,4	65	45	107	108	10	N 3/8	M5	F03	36	9	kg	0,82
		inch	1,91	0,87	2,87	1,73	0,37	2,56	1,77	4,21	4,25	0,39						1,42	0,35
GN N 1/2	13	mm	53	24	81	48	9,4	70	49	107	113	13	N 1/2	M5	F03	36	9	kg	1,041
		inch	2,09	0,94	3,19	1,89	0,37	2,76	1,93	4,21	4,45	0,51						1,42	0,35
GN N 3/4	20	mm	66	30	98	62	13,4	88	61	200	123	20	N 3/4	M6	F05	50	14	kg	2,089
		inch	2,60	1,18	3,86	2,44	0,53	3,46	2,40	7,87	4,84	0,79						1,97	0,55
GN N 1	25	mm	76	36	106	66	13,4	98	73	200	133	25	N 1	M6	F05	50	14	kg	2,822
		inch	2,99	1,42	4,17	2,60	0,53	3,86	2,87	7,87	5,24	0,98						1,97	0,55
GN N 1 1/4	32	mm	89,5	43	126	75	14,5	112	86	310	166	32	N 1 1/4	M6	F05	50	17	kg	4,508
		inch	3,52	1,69	4,96	2,95	0,57	4,41	3,39	12,20	6,54	1,26						1,97	0,67
GN N 1 1/2	40	mm	106	53	135	85	14	129	106	310	184	40	N 1 1/2	M6	F05	50	17	kg	6,89
		inch	4,17	2,09	5,31	3,35	0,55	5,08	4,17	12,20	7,24	1,57						1,97	0,67
GN N 2	50	mm	116	59	160	98	13,5	138	118	310	194	50	N 2	M6	F05	50	17	kg	9,628
		inch	4,57	2,32	6,30	3,86	0,53	5,43	4,65	12,20	7,64	1,97						1,97	0,67

(POM SEAL)

GN ANSI/ASME B1.20.1 NPT PN

DN	PN	CS	SS
		Carbon Steel	Stainless Steel
		ITEM CODE	
6	MPa 50	GN2NNT15024A000	GN2NNT15044A000
	Psi 7250		
10	MPa 50	GN2NNT25024A000	GN2NNT25044A000
	Psi 7250		
13	MPa 50	GN2NNT35024A000	GN2NNT35044A000
	Psi 7250		
20	MPa 42	GN2NNT44024A000	GN2NNT44044A000
	Psi 6090		
25	MPa 42	GN2NNT53024A000	GN2NNT53044A000
	Psi 6090		
32	MPa 42	GN2NNT63024A000	GN2NNT63044A000
	Psi 6090		
40	MPa 42	GN2NNT73024A000	GN2NNT73044A000
	Psi 6090		
50	MPa 42	GN2NNT83024A000	GN2NNT83044A000
	Psi 6090		

(PEEK SEAL)

GN ANSI/ASME B1.20.1 NPT PN

DN	PN	CS	SS
		Carbon Steel	Stainless Steel
		ITEM CODE	
6	MPa 41,4	GN2NNT15024P000	GN2NNT15044P000
	Psi 6000		
10	MPa 41,4	GN2NNT25024P000	GN2NNT25044P000
	Psi 6000		
13	MPa 41,4	GN2NNT35024P000	GN2NNT35044P000
	Psi 6000		
20	MPa 41,4	GN2NNT44024P000	GN2NNT44044P000
	Psi 6000		
25	MPa 41,4	GN2NNT53024P000	GN2NNT53044P000
	Psi 6000		
32	MPa 41,4	GN2NNT63024P000	GN2NNT63044P000
	Psi 6000		
40	MPa 41,4	GN2NNT73024P000	GN2NNT73044P000
	Psi 6000		
50	MPa 41,4	GN2NNT83024P000	GN2NNT83044P000
	Psi 6000		

(POM SEAL)

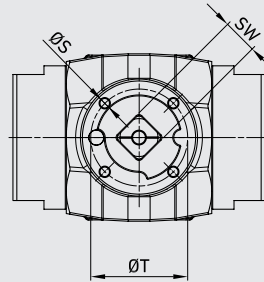
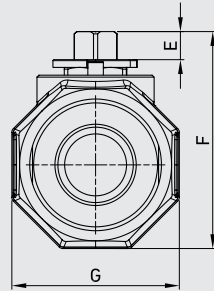
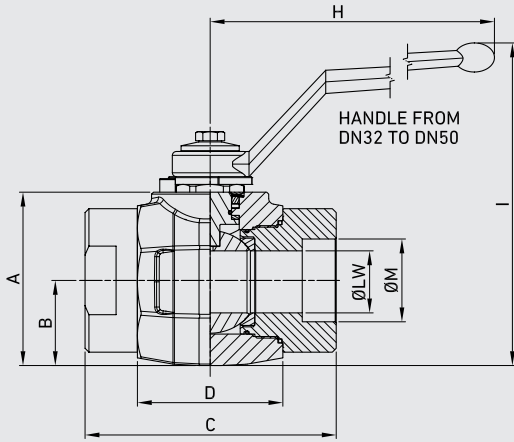
GN ANSI/ASME B1.20.1 NPT S6000

DN	PN	CS	SS
		Carbon Steel	Stainless Steel
		ITEM CODE	
6	MPa 50	GN2NNT1G024A000	GN2NNT1G044A000
	Psi 7250		
10	MPa 50	GN2NNT2G024A000	GN2NNT2G044A000
	Psi 7250		
13	MPa 50	GN2NNT3G024A000	GN2NNT3G044A000
	Psi 7250		
20	MPa 42	GN2NNT4G024A000	GN2NNT4G044A000
	Psi 6090		
25	MPa 42	GN2NNT5G024A000	GN2NNT5G044A000
	Psi 6090		
32	MPa 42	GN2NNT6G024A000	GN2NNT6G044A000
	Psi 6090		
40	MPa 42	GN2NNT7G024A000	GN2NNT7G044A000
	Psi 6090		
50	MPa 42	GN2NNT8G024A000	GN2NNT8G044A000
	Psi 6090		

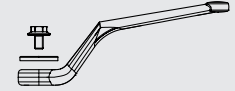
(PEEK SEAL)

GN ANSI/ASME B1.20.1 NPT S6000

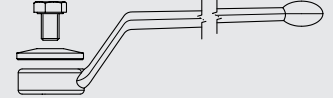
DN	PN	CS	SS
		Carbon Steel	Stainless Steel
		ITEM CODE	
6	MPa 41,4	GN2NNT1G024P000	GN2NNT1G044P000
	Psi 6000		
10	MPa 41,4	GN2NNT2G024P000	GN2NNT2G044P000
	Psi 6000		
13	MPa 41,4	GN2NNT3G024P000	GN2NNT3G044P000
	Psi 6000		
20	MPa 41,4	GN2NNT4G024P000	GN2NNT4G044P000
	Psi 6000		
25	MPa 41,4	GN2NNT5G024P000	GN2NNT5G044P000
	Psi 6000		
32	MPa 41,4	GN2NNT6G024P000	GN2NNT6G044P000
	Psi 6000		
40	MPa 41,4	GN2NNT7G024P000	GN2NNT7G044P000
	Psi 6000		
50	MPa 41,4	GN2NNT8G024P000	GN2NNT8G044P000
	Psi 6000		



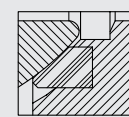
HANDLE FROM DN6 TO DN13



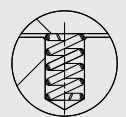
HANDLE FROM DN20 TO DN25



FIRE SAFE



ANTISTATIC DEVICE



GN SW

TYPE	DN		A	B	C	D	E	F	ØG*	H	I	ØLW	ØM	ØS	ISO 5211	ØT	SW	WEIGHT	
GN SW 1/4	6	mm	48,5	22	72	44	9,4	65	45	107	108	6	SW 1/4	M5	F03	36	9	kg	0,82
		inch	1,91	0,87	2,83	1,73	0,37	2,56	1,77	4,21	4,25	0,24						1,42	0,35
GN SW 3/8	10	mm	48,5	22	73	44	9,4	65	45	107	108	10	SW 3/8	M5	F03	36	9	kg	0,82
		inch	1,91	0,87	2,87	1,73	0,37	2,56	1,77	4,21	4,25	0,39						1,42	0,35
GN SW 1/2	13	mm	53	24	81	48	9,4	70	49	107	113	13	SW 1/2	M5	F03	36	9	kg	1,041
		inch	2,09	0,94	3,19	1,89	0,37	2,76	1,93	4,21	4,45	0,51						1,42	0,35
GN SW 3/4	20	mm	66	30	98	62	13,4	88	61	200	123	20	SW 3/4	M6	F05	50	14	kg	2,089
		inch	2,60	1,18	3,86	2,44	0,53	3,46	2,40	7,87	4,84	0,79						1,97	0,55
GN SW 1	25	mm	76	36	106	66	13,4	98	73	200	133	25	SW 1	M6	F05	50	14	kg	2,822
		inch	2,99	1,42	4,17	2,60	0,53	3,86	2,87	7,87	5,24	0,98						1,97	0,55
GN SW 1 1/4	32	mm	89,5	43	126	75	14,5	112	86	310	166	32	SW 1 1/4	M6	F05	50	17	kg	4,508
		inch	3,52	1,69	4,96	2,95	0,57	4,41	3,39	12,20	6,54	1,26						1,97	0,67
GN SW 1 1/2	40	mm	106	53	135	85	14	129	106	310	184	40	SW 1 1/2	M6	F05	50	17	kg	6,89
		inch	4,17	2,09	5,31	3,35	0,55	5,08	4,17	12,20	7,24	1,57						1,97	0,67
GN SW 2	50	mm	116	59	160	98	13,5	138	118	310	194	50	SW 2	M6	F05	50	17	kg	9,628
		inch	4,57	2,32	6,30	3,86	0,53	5,43	4,65	12,20	7,64	1,97						1,97	0,67

(POM SEAL)
 GN SW PN

DN	PN	CS	SS
		Carbon Steel	Stainless Steel
		ITEM CODE	
6	MPa 50	GN2TTT15024A000	GN2TTT15044A000
	Psi 7250		
10	MPa 50	GN2TTT25024A000	GN2TTT25044A000
	Psi 7250		
13	MPa 50	GN2TTT35024A000	GN2TTT35044A000
	Psi 7250		
20	MPa 42	GN2TTT44024A000	GN2TTT44044A000
	Psi 6090		
25	MPa 42	GN2TTT53024A000	GN2TTT53044A000
	Psi 6090		
32	MPa 42	GN2TTT63024A000	GN2TTT83044A000
	Psi 6090		
40	MPa 42	GN2TTT73024A000	GN2TTT73044A000
	Psi 6090		
50	MPa 42	GN2TTT63024A000	GN2TTT83044A000
	Psi 6090		

(PEEK SEAL)
 GN SW PN

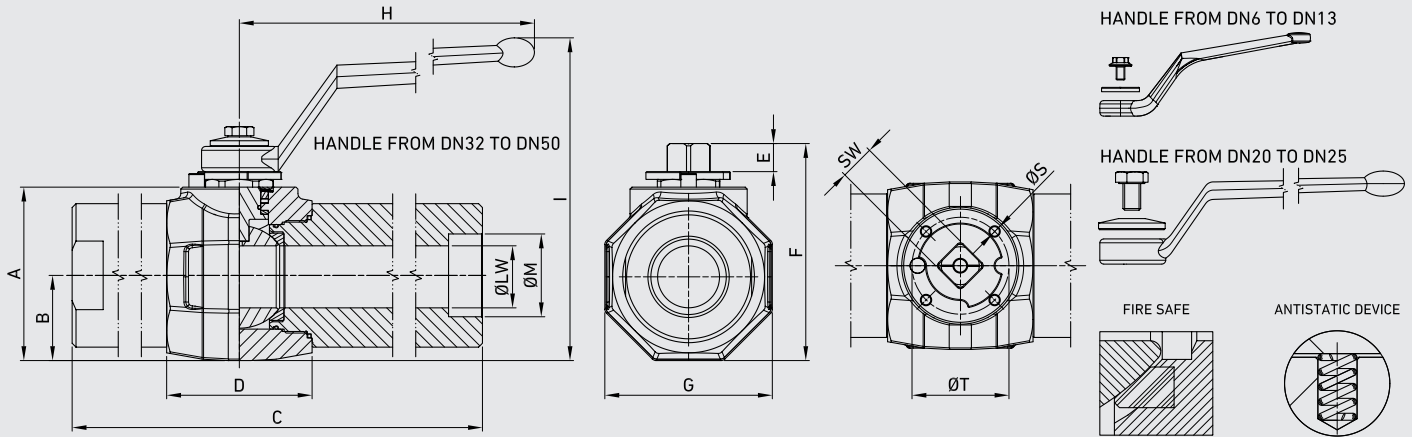
DN	PN	CS	SS
		Carbon Steel	Stainless Steel
		ITEM CODE	
6	MPa 41,4	GN2TTT15024P000	GN2TTT15044P000
	Psi 6000		
10	MPa 41,4	GN2TTT25024P000	GN2TTT25044P000
	Psi 6000		
13	MPa 41,4	GN2TTT35024P000	GN2TTT35044P000
	Psi 6000		
20	MPa 41,4	GN2TTT44024P000	GN2TTT44044P000
	Psi 6000		
25	MPa 41,4	GN2TTT53024P000	GN2TTT53044P000
	Psi 6000		
32	MPa 41,4	GN2TTT63024P000	GN2TTT63044P000
	Psi 6000		
40	MPa 41,4	GN2TTT73024P000	GN2TTT73044P000
	Psi 6000		
50	MPa 41,4	GN2TTT83024P000	GN2TTT83044P000
	Psi 6000		

(POM SEAL)
 GN SW S6000

DN	PN	CS	SS
		Carbon Steel	Stainless Steel
		ITEM CODE	
6	MPa 50	GN2TTT1G024A000	GN2TTT1G044A000
	Psi 7250		
10	MPa 50	GN2TTT2G024A000	GN2TTT2G044A000
	Psi 7250		
13	MPa 50	GN2TTT3G024A000	GN2TTT3G044A000
	Psi 7250		
20	MPa 42	GN2TTT4G024A000	GN2TTT4G044A000
	Psi 6090		
25	MPa 42	GN2TTT5G024A000	GN2TTT5G044A000
	Psi 6090		
32	MPa 42	GN2TTT6G024A000	GN2TTT6G044A000
	Psi 6090		
40	MPa 42	GN2TTT7G024A000	GN2TT17G044A000
	Psi 6090		
50	MPa 42	GN2TTT8G024A000	GN2TTT6G044A000
	Psi 6090		

(PEEK SEAL)
 GN SW S6000

DN	PN	CS	SS
		Carbon Steel	Stainless Steel
		ITEM CODE	
6	MPa 41,4	GN2TTT1G024P000	GN2TTT1G044P000
	Psi 6000		
10	MPa 41,4	GN2TTT2G024P000	GN2TTT2G044P000
	Psi 6000		
13	MPa 41,4	GN2TTT3G024P000	GN2TTT3G044P000
	Psi 6000		
20	MPa 41,4	GN2TTT4G024P000	GN2TTT4G044P000
	Psi 6000		
25	MPa 41,4	GN2TTT5G024P000	GN2TTT5G044P000
	Psi 6000		
32	MPa 41,4	GN2TTT6G024P000	GN2TTT6G044P000
	Psi 6000		
40	MPa 41,4	GN2TTT7G024P000	GN2TTT7G044P000
	Psi 6000		
50	MPa 41,4	GN2TTT8G024P000	GN2TTT6G044P000
	Psi 6000		


GN SW EXTRALONG

TYPE	DN		A	B	C	D	E	F	ØG*	H	I	ØLW	ØM	ØS	ISO 5211	ØT	SW	WEIGHT
GN SWXT 1/4	6	mm	48,5	22	262	44	9,4	65	45	107	108	6	SW 1/4	M5	F03	36	9	kg 2,702
		inch	1,91	0,87	10,31	1,73	0,37	2,56	1,77	4,21	4,25	0,24				1,42	0,35	lb 5,96
GN SWXT 3/8	10	mm	48,5	22	262	44	9,4	65	45	107	108	10	SW 3/8	M5	F03	36	9	kg 2,599
		inch	1,91	0,87	10,31	1,73	0,37	2,56	1,77	4,21	4,25	0,39				1,42	0,35	lb 5,73
GN SWXT 1/2	13	mm	53	24	271	48	9,4	70	49	107	113	13	SW 1/2	M5	F03	36	9	kg 3,303
		inch	2,09	0,94	10,67	1,89	0,37	2,76	1,93	4,21	4,45	0,51				1,42	0,35	lb 7,28
GN SWXT 3/4	20	mm	66	30	288	62	13,4	88	61	200	123	20	SW 3/4	M6	F05	50	14	kg 5,595
		inch	2,60	1,18	11,34	2,44	0,53	3,46	2,40	7,87	4,84	0,79				1,97	0,55	lb 12,33
GN SWXT 1	25	mm	76	36	296	66	13,4	98	73	200	133	25	SW 1	M6	F05	50	14	kg 7,534
		inch	2,99	1,42	11,65	2,60	0,53	3,86	2,87	7,87	5,24	0,98				1,97	0,55	lb 16,61
GN SWXT 11,4	32	mm	89,5	43	318	75	14,5	112	86	310	166	32	SW 1	M6	F05	50	17	kg 8,923
		inch	3,52	1,69	12,52	2,95	0,57	4,41	3,39	12,20	6,54	1,26	1/4			1,97	0,67	lb 19,67
GN SWXT 1 1/2	40	mm	106	53	325	85	14	129	106	310	184	40	SW 1	M6	F05	50	17	kg 14,49
		inch	4,17	2,09	12,80	3,35	0,55	5,08	4,17	12,20	7,24	1,57	1/2			1,97	0,67	lb 31,94
GN SWXT 2	50	mm	116	59	350	98	13,5	138	118	310	194	50	SW 2	M6	F05	50	17	kg 18,328
		inch	4,57	2,32	13,78	3,86	0,53	5,43	4,65	12,20	7,64	1,97				1,97	0,67	lb 40,41

(POM SEAL)
 GN SW EXTRALONG PN

DN	PN	CS	SS
		Carbon Steel	Stainless Steel
		ITEM CODE	
6	MPa 50	GN2TXT15024A000	GN2TXT15044A000
	Psi 7250		
10	MPa 50	GN2TXT25024A000	GN2TXT25044A000
	Psi 7250		
13	MPa 50	GN2TXT35024A000	GN2TXT35044A000
	Psi 7250		
20	MPa 40	GN2TXT44024A000	GN2TXT44044A000
	Psi 5800		
25	MPa 35	GN2TXT53024A000	GN2TXT53044A000
	Psi 5075		
32	MPa 35	GN2TXT63024A000	GN2TXT63044A000
	Psi 5075		
40	MPa 35	GN2TXT73024A000	GN2TXT73044A000
	Psi 5075		
50	MPa 35	GN2TXT83024A000	GN2TXT83044A000
	Psi 5075		

(PEEK SEAL)
 GN SW EXTRALONG PN

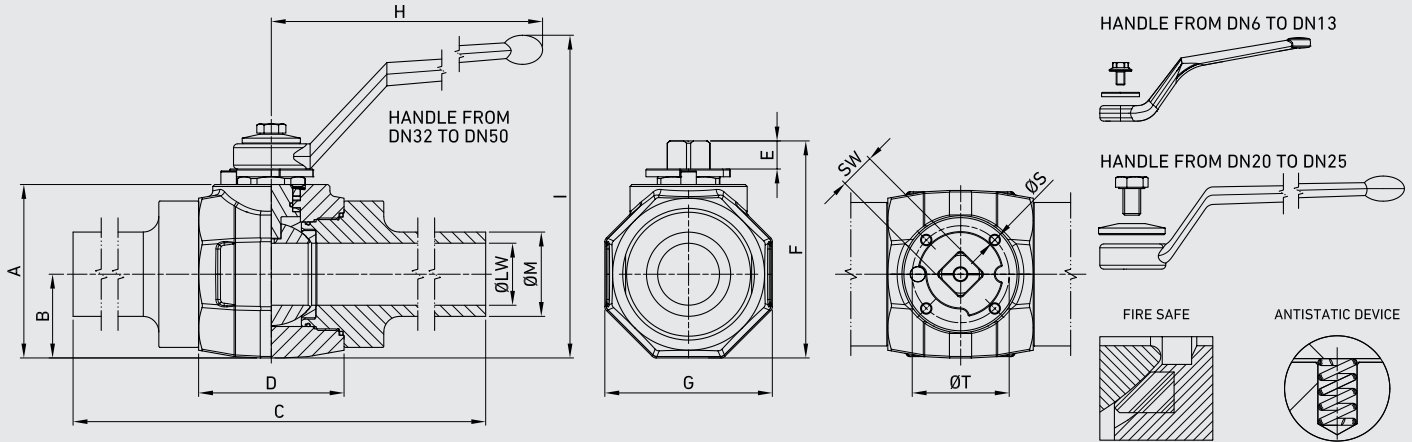
DN	PN	CS	SS
		Carbon Steel	Stainless Steel
		ITEM CODE	
6	MPa 50	GN2TXT15024P000	GN2TXT15044P000
	Psi 7250		
10	MPa 50	GN2TXT25024P000	GN2TXT25044P000
	Psi 7250		
13	MPa 50	GN2TXT35024P000	GN2TXT35044P000
	Psi 7250		
20	MPa 42	GN2TXT44024P000	GN2TXT44044P000
	Psi 6090		
25	MPa 42	GN2TXT53024P000	GN2TXT53044P000
	Psi 6090		
32	MPa 35	GN2TXT63024P000	GN2TXT63044P000
	Psi 5075		
40	MPa 35	GN2TXT73024P000	GN2TXT73044P000
	Psi 5075		
50	MPa 35	GN2TXT83024P000	GN2TXT83044P000
	Psi 5075		

(POM SEAL)
 GN SW EXTRALONG S6000

DN	PN	CS	SS
		Carbon Steel	Stainless Steel
		ITEM CODE	
6	MPa 50	GN2TXT1G024A000	GN2TXT1G044A000
	Psi 7250		
10	MPa 50	GN2TXT2G024A000	GN2TXT2G044A000
	Psi 7250		
13	MPa 50	GN2TXT3G024A000	GN2TXT3G044A000
	Psi 7250		
20	MPa 42	GN2TXT4G024A000	GN2TXT4G044A000
	Psi 6090		
25	MPa 42	GN2TXT5G024A000	GN2TXT5G044A000
	Psi 6090		
32	MPa 42	GN2TXT6G024A000	GN2TXT6G044A000
	Psi 6090		
40	MPa 42	GN2TXT7G024A000	GN2TXT7G044A000
	Psi 6090		
50	MPa 42	GN2TXT8G024A000	GN2TXT8G044A000
	Psi 6090		

(PEEK SEAL)
 GN SW EXTRALONG S6000

DN	PN	CS	SS
		Carbon Steel	Stainless Steel
		ITEM CODE	
6	MPa 41,4	GN2TXT1G024P000	GN2TXT1G044P000
	Psi 6000		
10	MPa 41,4	GN2TXT2G024P000	GN2TXT2G044P000
	Psi 6000		
13	MPa 41,4	GN2TXT3G024P000	GN2TXT3G044P000
	Psi 6000		
20	MPa 41,4	GN2TXT4G024P000	GN2TXT4G044P000
	Psi 6000		
25	MPa 41,4	GN2TXT5G024P000	GN2TXT5G044P000
	Psi 6000		
32	MPa 41,4	GN2TXT6G024P000	GN2TXT6G044P000
	Psi 6000		
40	MPa 41,4	GN2TXT7G024P000	GN2TXT7G044P000
	Psi 6000		
50	MPa 41,4	GN2TXT8G024P000	GN2TXT8G044P000
	Psi 6000		


GN PE

TYPE	DN	A	B	C	D	E	F	ØG*	H	I	ØLW	LSC80	ØM	ØS	ISO 5211	ØT	SW	WEIGHT	
GN PE 1/4	6	mm	48,5	22	272	44	9,4	65	45	107	108	6	3,02	PE 1/4	M5	F03	36	9	kg 1,227
		inch	1,91	0,87	10,71	1,73	0,37	2,56	1,77	4,21	4,25	0,24	0,12				1,42	0,35	lb 2,71
GN PE 3/8	10	mm	48,5	22	272	44	9,4	65	45	107	108	10	3,2	PE 3/8	M5	F03	36	9	kg 1,27
		inch	1,91	0,87	10,71	1,73	0,37	2,56	1,77	4,21	4,25	0,39	0,13				1,42	0,35	lb 2,80
GN PE 1/2	13	mm	53	24	281	48	9,4	70	49	107	113	13	3,73	PE 1/2	M5	F03	36	9	kg 1,709
		inch	2,09	0,94	11,06	1,89	0,37	2,76	1,93	4,21	4,45	0,51	0,15				1,42	0,35	lb 3,77
GN PE 3/4	20	mm	66	30	298	62	13,4	88	61	200	123	20	3,91	PE 3/4	M6	F05	50	14	kg 3,159
		inch	2,60	1,18	11,73	2,44	0,53	3,46	2,40	7,87	4,84	0,79	0,15				1,97	0,55	lb 6,96
GN PE 1	25	mm	76	36	306	66	13,4	98	73	200	133	25	4,55	PE 1	M6	F05	50	14	kg 4,224
		inch	2,99	1,42	12,05	2,60	0,53	3,86	2,87	7,87	5,24	0,98	0,18				1,97	0,55	lb 9,31
GN PE 1 1/4	32	mm	89,5	43	327	75	14,5	112	86	310	166	32	4,85	PE 1 1/4	M6	F05	50	17	kg 4,751
		inch	3,52	1,69	12,87	2,95	0,57	4,41	3,39	12,20	6,54	1,26	0,19				1,97	0,67	lb 10,47
GN PE 1 1/2	40	mm	106	53	335	85	14	129	106	310	184	40	5,08	PE 1 1/2	M6	F05	50	17	kg 8,306
		inch	4,17	2,09	13,19	3,35	0,55	5,08	4,17	12,20	7,24	1,57	0,20				1,97	0,67	lb 18,31
GN PE2	50	mm	116	59	360	98	13,5	138	118	310	194	50	5,54	PE 2	M6	F05	50	17	kg 11,402
		inch	4,57	2,32	14,17	3,86	0,53	5,43	4,65	12,20	7,64	1,97	0,22				1,97	0,67	lb 25,14

(POM SEAL)
 GN PE PN

DN	PN	CS	SS
		Carbon Steel	Stainless Steel
		ITEM CODE	
6	MPa 50	GN2BWT15024A000	GN2BWT15044A000
	Psi 7250		
10	MPa 50	GN2BWT25024A000	GN2BWT25044A000
	Psi 7250		
13	MPa 50	GN2BWT35024A000	GN2BWT35044A000
	Psi 7250		
20	MPa 42	GN2BWT44024A000	GN2BWT44044A000
	Psi 6090		
25	MPa 42	GN2BWT53024A000	GN2BWT53044A000
	Psi 6090		
32	MPa 42	GN2BWT63024A000	GN2BWT63044A000
	Psi 6090		
40	MPa 42	GN2BWT73024A000	GN2BWT73044A000
	Psi 6090		
50	MPa 42	GN2BWT83024A000	GN2BWT83044A000
	Psi 6090		

(PEEK SEAL)
 GN PE PN

DN	PN	CS	SS
		Carbon Steel	Stainless Steel
		ITEM CODE	
6	MPa 41,4	GN2BWT15024P000	GN2BWT15044P000
	Psi 6000		
10	MPa 41,4	GN2BWT25024P000	GN2BWT25044P000
	Psi 6000		
13	MPa 41,4	GN2BWT35024P000	GN2BWT35044P000
	Psi 6000		
20	MPa 41,4	GN2BWT44024P000	GN2BWT44044P000
	Psi 6000		
25	MPa 41,4	GN2BWT53024P000	GN2BWT53044P000
	Psi 6000		
32	MPa 41,4	GN2BWT63024P000	GN2BWT63044P000
	Psi 6000		
40	MPa 41,4	GN2BWT73024P000	GN2BWT73044P000
	Psi 6000		
50	MPa 41,4	GN2BWT83024P000	GN2BWT83044P000
	Psi 6000		

(POM SEAL)
 GN PE S6000

DN	PN	CS	SS
		Carbon Steel	Stainless Steel
		ITEM CODE	
6	MPa 50	GN2BWTG1024A000	GN2BWTG1044A000
	Psi 7250		
10	MPa 50	GN2BWT2G024A000	GN2BWT2G044A000
	Psi 7250		
13	MPa 50	GN2BWT3G024A000	GN2BWT3G044A000
	Psi 7250		
20	MPa 42	GN2BWT4G024A000	GN2BWT4G044A000
	Psi 6090		
25	MPa 42	GN2BWT5G024A000	GN2BWT5G044A000
	Psi 6090		
32	MPa 42	GN2BWT6G024A000	GN2BWT6G044A000
	Psi 6090		
40	MPa 42	GN2BWT7G024A000	GN2BWT7G044A000
	Psi 6090		
50	MPa 42	GN2BWT8G024A000	GN2BWT8G044A000
	Psi 6090		

(PEEK SEAL)
 GN PE S6000

DN	PN	CS	SS
		Carbon Steel	Stainless Steel
		ITEM CODE	
6	MPa 41,4	GN2BWT1G024P000	GN2BWTG1044P000
	Psi 6000		
10	MPa 41,4	GN2BWT2G024P000	GN2BWT2G044P000
	Psi 6000		
13	MPa 41,4	GN2BWT3G024P000	GN2BWT3G044P000
	Psi 6000		
20	MPa 41,4	GN2BWT4G024P000	GN2BWT4G044P000
	Psi 6000		
25	MPa 41,4	GN2BWT5G024P000	GN2BWT5G044P000
	Psi 6000		
32	MPa 41,4	GN2BWT6G024P000	GN2BWT6G044P000
	Psi 6000		
40	MPa 41,4	GN2BWT7G024P000	GN2BWT7G044P000
	Psi 6000		
50	MPa 41,4	GN2BWT8G024P000	GN2BWT8G044P000
	Psi 6000		