



GEF

2-WAY HIGH PRESSURE BALL VALVES

Edition. 21.0

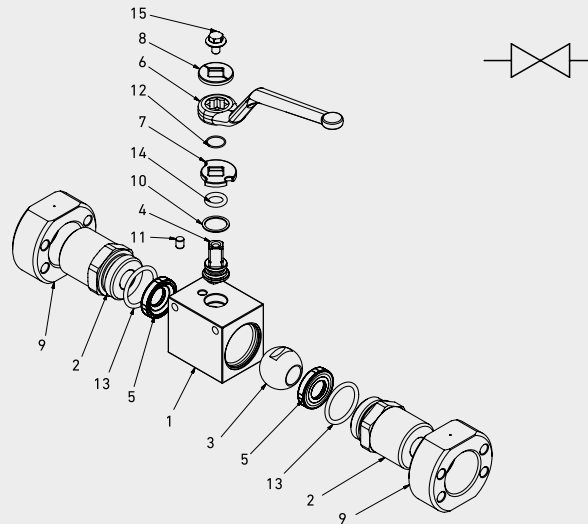
CS Carbon Steel

- Type: ball valve 2 way
- Sizes: from DN13 up to DN25
- Ends: ISO6162-1/-2
SAEJ518-1/-2
- Pressure: up to PN420 / S6000
- Temp range: from -20°C to +100°C

SS Stainless Steel

- Type: ball valve 2 way
- Sizes: from DN13 up to DN25
- Ends: ISO6162-1/-2
SAEJ518-1/-2
- Pressure: up to PN420 / S6000
- Temp range: from -30°C to +100°C

STANDARD COMPOSITION OF VALVE



POS	DESCRIPTION	Q.TY	CS	SS
			Carbon Steel	Stainless Steel
			MATERIAL	
1	Body	1	1,0737	1,4404
2	Adapter	2	1,0737	1,4404
3	Ball	1	1,0737	1,4404
4	Stem	1	1,0737	1,4404
5	Ball seat	2	POM	POM
6	Handle	1	ZINC	ZINC
7	Washer	1	1,0116	1,4301
8	Washer	1	1,0116	1,4301
9	Flange	2	1,0737	1,4404
10	Stem ring	1	POM	POM
11	Pin	1	1,0737	1,4301
12	Seeger	1	1,4301	1,4301
13	Adapter o-ring	2	NBR	NBR
14	Stem o-ring	1	NBR	NBR
15	Screw	1	Din 6921 8.8	Din 6921 A2



CODE DESCRIPTION STRUCTURE

GE F3 DN13 1 1 1 1 A B

Type and way of valve

GE 2-way

Ends

Valves dimension of pressure (PSI) F3 Valves dimension of pressure (PSI) F6

S3000 S6000

Size

from DN13 to DN25

Body Material

- 1 = 1,0737
- 4 = 1,4404

Adapter material

- 1 = 1,0737
- 4 = 1,4404

Stem material

- 1 = 1,0737 4 = 1,4404*
- 4 = 1,4404

Ball Material

- 1 = 1,0737 4 = 1,4404*
- 4 = 1,4404

Seat material

A = POM D = PEEK* G = PA612* K = GEMPTFE* C = PTFE*

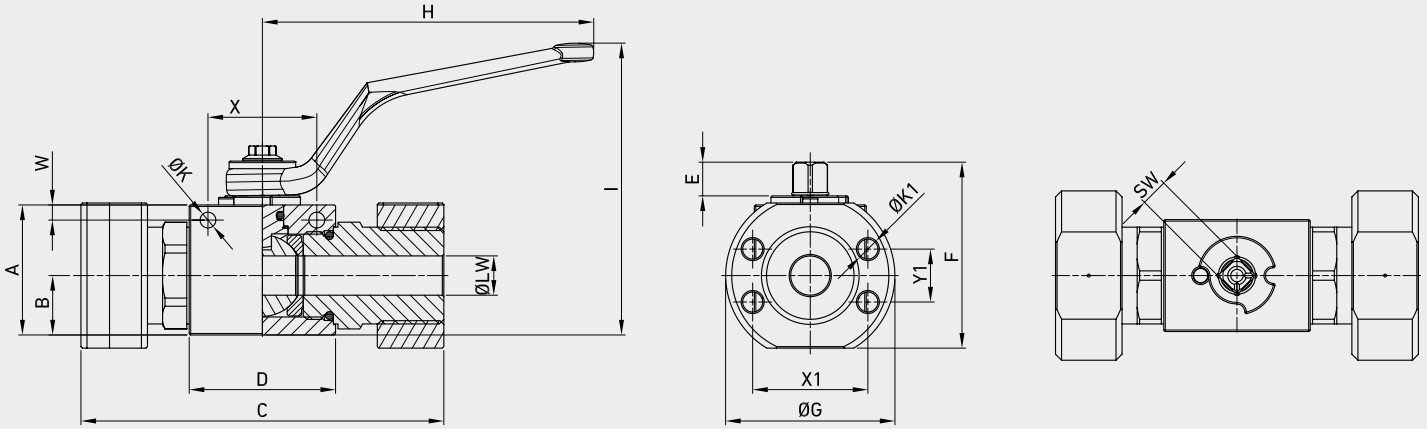
Seal material

B = NBR E = FKM* F = EPDM* L = MVQ*

*On request

- Reduced bore
- Special threads
- Pressure class up to PN6000 Psi
- Pneumatic and electrical actuator
- Locking device

For further special requests please consult our technical/commercial service.



GEF SAE J518 S3000

TYPE	DN	PN	A	B	C	D	E	F	ØG	H	I	ØK1	X1	Y1	ØK*	W*	X*	ØLW	SW	WEIGHT	CS	SS	
																					Carbon Steel	Stainless Steel	
																						ITEM CODE	
GEF3	13	MPa 34	mm 43	19,7	120	48,4	11	61,5	56	110	95	M8	38,1	17,5	5,25	5	36	13	9	kg 1,504	GE2FFC0L011A000	GE2FFC0L044A000	
		Psi 5000	inch 1,69	0,78	4,72	1,91	0,43	2,42	2,20	4,33	3,74		1,50	0,69	0,21	0,20	1,42	0,51	0,35	lb 3,32			
GEF3	20	MPa 34	mm 57	25,4	136	62,5	14	80,1	72	180	105	M10	47,6	22,2	6,25	6	50	20	14	kg 2,608	GE2FFC1L011A000	GE2FFC1L044A000	
		Psi 5000	inch 2,24	1,00	5,35	2,46	0,55	3,15	2,83	7,09	4,13		1,87	0,87	0,25	0,24	1,97	0,79	0,55	lb 5,75			
GEF3	25	MPa 34	mm 65	29,5	148	66,5	14	89	81	180	113	M10	52,4	26,2	6,25	6	50	25	14	kg 3,891	GE2FFC2L011A000	GE2FFC2L044A000	
		Psi 5000	inch 2,56	1,16	5,83	2,62	0,55	3,50	3,19	7,09	4,45		2,06	1,03	0,25	0,24	1,97	0,98	0,55	lb 8,58			

Size only for carbon steel valves with fixing holes included.

GEF SAE J518 S3000 UNC

TYPE	DN	PN	A	B	C	D	E	F	ØG	H	I	ØK1	X1	Y1	ØK*	W*	X*	ØLW	SW	WEIGHT	CS	SS	
																					Carbon Steel	Stainless Steel	
																						ITEM CODE	
GEF3	13	MPa 34	mm 43	19,7	120	48,4	11	61,5	56	110	95	5/16-18	38,1	17,5	5,25	5	36	13	9	kg 1,504	GE2FUC0L011A000	GE2FUC0L044A000	
		Psi 5000	inch 1,69	0,78	4,72	1,91	0,43	2,42	2,20	4,33	3,74		UNC	1,50	0,69	0,21	0,20	1,42	0,51	0,35	lb 3,32		
GEF3	20	MPa 34	mm 57	25,4	136	62,5	14	80,1	72	180	105	3/8-16	47,6	22,2	6,25	6	50	20	14	kg 2,608	GE2FUC1L011A000	GE2FUC1L044A000	
		Psi 5000	inch 2,24	1,00	5,35	2,46	0,55	3,15	2,83	7,09	4,13		UNC	1,87	0,87	0,25	0,24	1,97	0,79	0,55	lb 5,75		
GEF3	25	MPa 34	mm 65	29,5	148	66,5	14	89	81	180	113	3/8-16	52,4	26,2	6,25	6	50	25	14	kg 3,891	GE2FUC2L011A000	GE2FUC2L044A000	
		Psi 5000	inch 2,56	1,16	5,83	2,62	0,55	3,50	3,19	7,09	4,45		UNC	2,06	1,03	0,25	0,24	1,97	0,98	0,55	lb 8,58		

Size only for carbon steel valves with fixing holes included.

GEF SAE J518 S6000

																				CS Carbon Steel	SS Stainless Steel	
TYPE	DN	PN	A	B	C	D	E	F	ØG	H	I	ØK1	X1	Y1	ØK*	W*	X*	ØLW	SW	WEIGHT	ITEM CODE	
GEF6	13	MPa 41	mm 43	19,7	120	48,4	11	61,5	56	110	95	M8	40,5	18,2	5,25	5	36	13	9	kg 1,504	GE2FFC6G011A000	GE2FFC6G044A000
		Psi 6000	inch 1,69	0,78	4,72	1,91	0,43	2,42	2,20	4,33	3,74		1,59	0,72	0,21	0,20	1,42	0,51	0,35	lb 3,32		
GEF6	20	MPa 40	mm 57	25,4	136	62,5	14	80,1	72	180	105	M10	50,8	23,8	6,25	6	50	20	14	kg 2,608	GE2FFC74011A000	GE2FFC74044A000
		Psi 5800	inch 2,24	1,00	5,35	2,46	0,55	3,15	2,83	7,09	4,13		2,00	0,94	0,25	0,24	1,97	0,79	0,55	lb 5,75		
GEF6	25	MPa 34	mm 65	29,5	148	66,5	14	89	81	180	113	M12	57,2	27,8	6,25	6	50	25	14	kg 3,891	GE2FFC83011A000	GE2FFC83044A000
		Psi 5000	inch 2,56	1,16	5,83	2,62	0,55	3,50	3,19	7,09	4,45		2,25	1,09	0,25	0,24	1,97	0,98	0,55	lb 8,58		

Size only for carbon steel valves with fixing holes included.

GEF SAE J518 S6000 UNC

																				CS Carbon Steel	SS Stainless Steel	
TYPE	DN	PN	A	B	C	D	E	F	ØG	H	I	ØK1	X1	Y1	ØK*	W*	X*	ØLW	SW	WEIGHT	ITEM CODE	
GEF6	13	MPa 41	mm 43	19,7	120	48,4	11	61,5	56	110	95	5/16-18	40,5	18,2	5,25	5	36	13	9	kg 1,504	GE2FUC6G011A000	GE2FUC6G044A000
		Psi 6000	inch 1,69	0,78	4,72	1,91	0,43	2,42	2,20	4,33	3,74	UNC	1,59	0,72	0,21	0,20	1,42	0,51	0,35	lb 3,32		
GEF6	20	MPa 40	mm 57	25,4	136	62,5	14	75,5	72	180	105	3/8-16	50,8	23,8	6,25	6	50	20	14	kg 2,608	GE2FUC74011A000	GE2FUC74044A000
		Psi 5800	inch 2,24	1,00	5,35	2,46	0,55	2,97	2,83	7,09	4,13	UNC	2,00	0,94	0,25	0,24	1,97	0,79	0,55	lb 5,75		
GEF6	25	MPa 34	mm 65	29,5	148	66,5	14	89	81	180	113	7/16-14	57,2	27,8	6,25	6	50	25	14	kg 3,891	GE2FUC83011A000	GE2FUC83044A000
		Psi 5000	inch 2,56	1,16	5,83	2,62	0,55	3,50	3,19	7,09	4,45	UNC	2,25	1,09	0,25	0,24	1,97	0,98	0,55	lb 8,58		

Size only for carbon steel valves with fixing holes included.