



# GBF

## 2-WAY HIGH PRESSURE BALL VALVES

Edition. 21.0

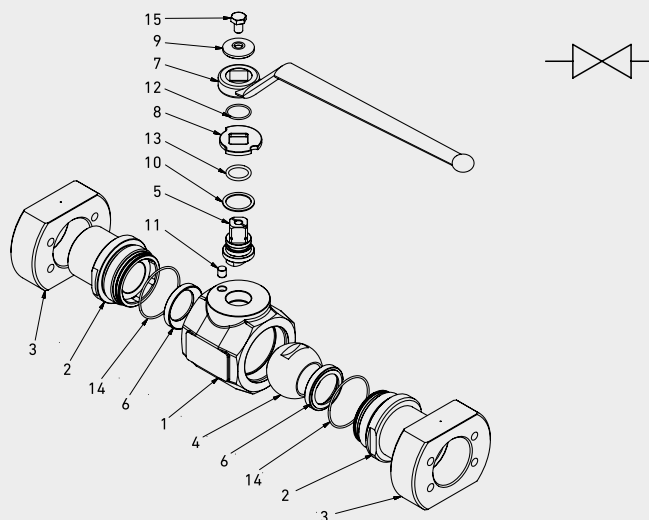
### CS Carbon Steel

- Type: forged ball valve 2 way
- Sizes: from DN32 up to DN50
- Ends: ISO6162-1/-2, SAEJ518-1/-2
- Pressure: up to PN420 / S6000
- Temp range: from -30°C to +100°C (body -46°C)

### SS Stainless Steel

- Type: forged ball valve 2 way
- Sizes: from DN32 up to DN50
- Ends: ISO6162-1/-2, SAEJ518-1/-2
- Pressure: up to PN420 / S6000
- Temp range: from -30°C to +100°C (body -46°C)

### STANDARD COMPOSITION OF VALVE



POS	DESCRIPTION	Q.TY	CS	SS
			Carbon Steel	Stainless Steel
			MATERIAL	
1	Body	1	1,0570	1,4404
2	Adapter	2	1,0570	1,4404
3	Ball	1	1,0737	1,4404
4	Stem	1	1,0737	1,4301
5	Ball seat	2	POM	POM
6	Handle	1	1,0116	1,4301
7	Washer	1	1,0116	1,4301
8	Washer	1	1,0737	1,4301
9	Flange	2	1,0570	1,4044
10	Stem ring	1	POM	POM
11	Pin	1	1,0737	1,4301
12	Seeger	1	1,4301	1,4301
13	Adapter o-ring	4	NBR	NBR
14	Stem o-ring	1	NBR	NBR
15	Screw	1	ISO4017 8.8	ISO4017 A2



## CODE DESCRIPTION STRUCTURE

**GB F3 DN32 2 2 1 1 A B**

**Type and way of valve**

GB 2-way

**Ends**

Valves dimension of pressure (PSI) F3    Valves dimension of pressure (PSI) F6

S3000    S6000

**Size**

from DN32 to DN50

**Body Material**

- 2 = 1,0570
- 4 = 1,4404

**Adapter material**

- 2 = 1,0570
- 4 = 1,4404

**Stem material**

- 1 = 1,0737    4 = 1,4404\*
- 4 = 1,4404

**Ball Material**

- 1 = 1,0737    4 = 1,4404\*
- 4 = 1,4404

**Seat material**

A = POM    D = PEEK\*    G = PA612\*    K = GEMPTFE\*    C = PTFE\*

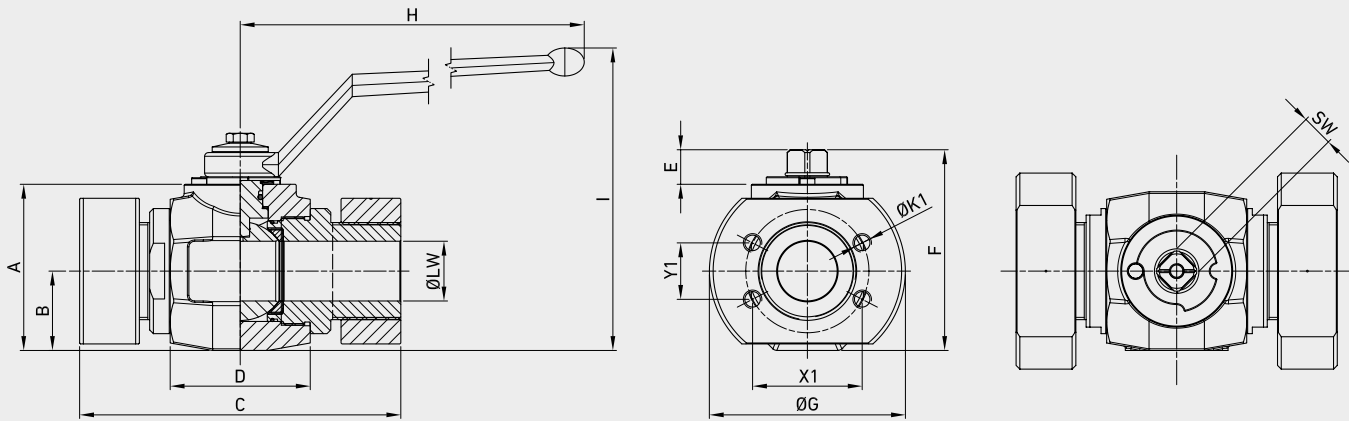
**Seal material**

B = NBR    E = FKM\*    F = EPDM\*    L = MVQ\*

**\*On request**

- Reduced bore
- Special threads
- Pressure class up to PN5000 Psi
- Pneumatic and electrical actuator
- Locking device

*For further special requests please consult our technical/commercial service.*


**GBF SAE J518 S3000**

TYPE	DN	PN	A	B	C	D	E	F	ØG	H	I	ØK1	X1	Y1	SW	ØLW	WEIGHT	CS	SS			
																		Carbon Steel	Stainless Steel			
																		ITEM CODE				
GBF3	32	MPa	27,6	mm	89	42,5	172	75	14	107,5	105	310	162	M10	58,7	30,2	17	32	kg	8,102	GB2FFC3L021A000	GB2FFC3L044A000
		Psi	3000	inch	3,50	1,67	6,77	2,95	0,55	4,23	4,13	12,20	6,38		2,31	1,19	0,67	1,26	lb	17,86		
GBF3	40	MPa	20,7	mm	106	52,5	176,5	85	14	124,5	120	310	180	M12	69,8	35,7	17	40	kg	11,142	GB2FFC4L021A000	GB2FFC4L044A000
		Psi	3000	inch	4,17	2,07	6,95	3,35	0,55	4,90	4,72	12,20	7,09		2,75	1,41	0,67	1,57	lb	24,56		
GBF3	50	MPa	20,7	mm	115,5	58,5	196	98	14	134	145	310	190	M12	77,8	42,9	17	50	kg	15,343	GB2FFC5L021A000	GB2FFC5L044A000
		Psi	3000	inch	4,55	2,30	7,72	3,86	0,55	5,28	5,71	12,20	7,48		3,06	1,69	0,67	1,97	lb	33,83		

**GBF SAE J518 S3000 UNC**

TYPE	DN	PN	A	B	C	D	E	F	ØG	H	I	ØK1	X1	Y1	SW	ØLW	WEIGHT	CS	SS			
																		Carbon Steel	Stainless Steel			
																		ITEM CODE				
GBF3	32	MPa	27,6	mm	89	42,5	172	75	14	107,5	98	310	163	7/16-14	58,7	30,2	17	32	kg	8,102	GB2FUC3L021A000	GB2FUC3L044A000
		Psi	3000	inch	3,50	1,67	6,77	2,95	0,55	4,23	3,86	12,20	6,42	UNC	2,31	1,19	0,67	1,26	lb	17,86		
GBF3	40	MPa	20,7	mm	106	52,5	176,5	85	14	124,5	113	310	180	1/2-13	69,8	35,7	17	40	kg	11,142	GB2FUC4L021A000	GB2FUC4L044A000
		Psi	3000	inch	4,17	2,07	6,95	3,35	0,55	4,90	4,45	12,20	7,09	UNC	2,75	1,41	0,67	1,57	lb	24,56		
GBF3	50	MPa	20,7	mm	115,5	58,5	196	98	14	134	123	310	190	1/2-13	77,8	42,9	17	50	kg	15,343	GB2FUC5L021A000	GB2FUC5L044A000
		Psi	3000	inch	4,55	2,30	7,72	3,86	0,55	5,28	4,84	12,20	7,48	UNC	3,06	1,69	0,67	1,97	lb	33,83		

**GBF SAE J518 S6000**

TYPE	DN	PN	A	B	C	D	E	F	ØG	H	I	ØK1	X1	Y1	SW	ØLW	WEIGHT	CS	SS	
																		Carbon Steel	Stainless Steel	
																			ITEM CODE	
GBF6	32	MPa 41,3	mm 89	42,5	172	75	14	107,5	98	310	160	M12	66,7	31,8	17	32	kg 8,102	GB2FFC93021A000	GB2FFC93044A000	
		Psi 6000	inch 3,50	1,67	6,77	2,95	0,55	4,23	3,86	12,20	6,30		2,63	1,25	0,67	1,26	lb 17,86			
GBF6	40	MPa 41,33	mm 106	52,5	176,5	85	14	124,5	113	310	180	M16	79,4	36,5	17	40	kg 11,142	GB2FFCA3021A000	GB2FFCA3044A000	
		Psi 6000	inch 4,17	2,07	6,95	3,35	0,55	4,90	4,45	12,20	7,09		3,13	1,44	0,67	1,57	lb 24,56			
GBF6	50	MPa 41,3	mm 115,5	58,5	196	98	14	134	123	310	190	M20	96,8	44,5	17	50	kg 15,343	GB2FFCB3021A000	GB2FFCB3044A000	
		Psi 6000	inch 4,55	2,30	7,72	3,86	0,55	5,28	4,84	12,20	7,48		3,81	1,75	0,67	1,97	lb 33,83			

**GBF SAE J518 S6000 UNC**

TYPE	DN	PN	A	B	C	D	E	F	ØG	H	I	ØK1	X1	Y1	SW	ØLW	WEIGHT	CS	SS	
																		Carbon Steel	Stainless Steel	
																			ITEM CODE	
GBF6	32	MPa 41,3	mm 89	42,5	172	75	14	107,5	98	310	163	1/2-13 UNC	66,7	31,8	17	32	kg 8,102	GB2FUC93021A000	GB2FUC93044A000	
		Psi 6000	inch 3,50	1,67	6,77	2,95	0,55	4,23	3,86	12,20	6,42		2,63	1,25	0,67	1,26	lb 17,86			
GBF6	40	MPa 41,3	mm 106	52,5	176,5	85	14	124,5	113	310	180	5/8-11 UNC	79,4	36,5	17	40	kg 11,142	GB2FUCA3021A000	GB2FUCA3044A000	
		Psi 6000	inch 4,17	2,07	6,95	3,35	0,55	4,90	4,45	12,20	7,09		3,13	1,44	0,67	1,57	lb 24,56			
GBF6	50	MPa 41,3	mm 115,5	58,5	196	98	14	134	123	310	190	3/4-10 UNC	96,8	44,5	17	50	kg 15,343	GB2FUCB3021A000	GB2FUCB3044A000	
		Psi 6000	inch 4,55	2,30	7,72	3,86	0,55	5,28	4,84	12,20	7,48		3,81	1,75	0,67	1,97	lb 33,83			