



GB3

3-WAY HIGH PRESSURE BALL VALVES

Edition. 21.0

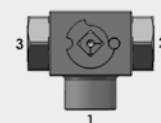
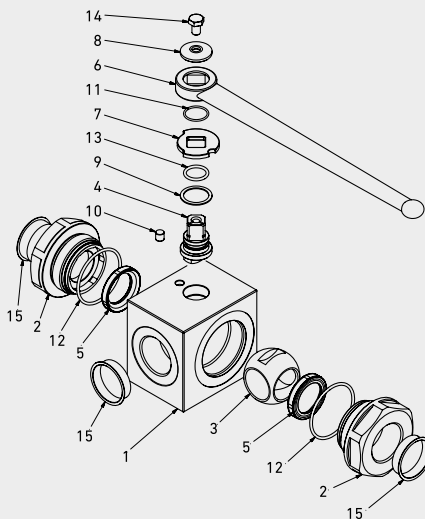
CS Carbon Steel

- Type: ball valve 3 way
- Sizes: from DN32 up to DN50
- Ends: BSP-NPT
- Pressure: up to PN350
- Temp range: from -20°C to +100°C

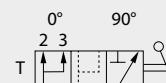
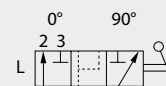
SS Stainless Steel

- Type: ball valve 3 way
- Sizes: from DN32 up to DN50
- Ends: BSP-NPT
- Pressure: up to PN350
- Temp range: from -30°C to +100°C

STANDARD COMPOSITION OF VALVE



WARNING!
Pressure inlet only
from center port 1



POS	DESCRIPTION	Q.TY	CS	SS
			Carbon Steel	Stainless Steel
			MATERIAL	
1	Body	1	1,0570	1,4404
2	Adapter	2	1,0570	1,4404
3	Ball	1	1,0737	1,4404
4	Stem	1	1,0737	1,4404
5	Ball seat	2	POM	POM
6	Handle	1	1,0116	1,4301
7	Washer	1	1,0116	1,4301
8	Washer	1	1,0116	1,4301
9	Stem ring	1	POM	POM
10	Pin	1	1,0737	1,4301
11	Seeger	1	1,4301	1,4301
12	Adapter o-ring	4	NBR	NBR
13	Stem o-ring	1	NBR	NBR
14	Screw	1	ISO4017 8.8	ISO4017 A2
15	Caps	3	PVC	PVC



CODE DESCRIPTION STRUCTURE

GB3 G1 1/2 DN40 2 2 1 1 A B

Type and way of valve

GB3 3-way

Ends

GAS DIN/ NPT ANSI
ISO 228 /ASME
BSP B1.20.1

G1 1/4 N1 1/4
G1 1/2 N1 1/2
G2 N2

Size

from DN32 to DN50

Body Material

- 2 = 1,0570
- 4 = 1,4404

Adapter material

- 2 = 1,0570
- 4 = 1,4404

Stem material

- 1 = 1,0737 4 = 1,4404*
- 4 = 1,4404

Ball Material

- 1 = 1,0737 4 = 1,4404*
- 4 = 1,4404

Seat material

A = POM D = PEEK* G = PA612* K = GEMPTFE* C = PTFE*

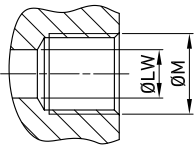
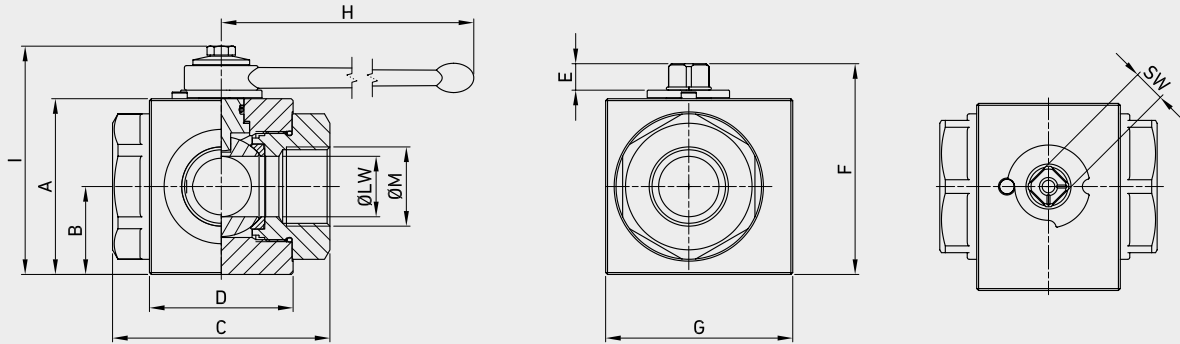
Seal material

B = NBR E = FKM* F = EPDM* L = MVQ*

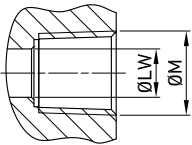
***On request**

- Reduced bore
- Special threads
- Pressure class up to PN35 MPa
- Pneumatic and electrical actuator
- Locking device

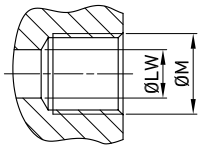
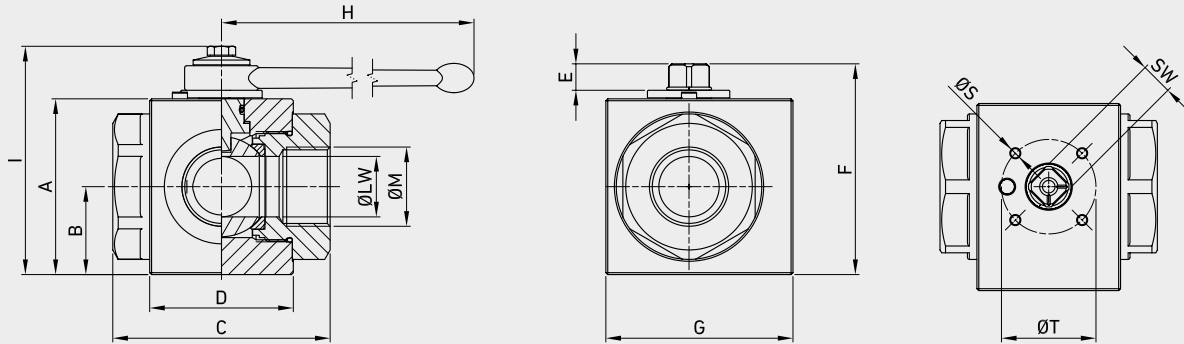
For further special requests please consult our technical/commercial service.


GB3 DIN/ISO 228 8SP

TYPE	DN	PN	A	B	C	D	E	F	G	H	I	ØM	SW	ØLW	WEIGHT	CS	SS
																Carbon Steel	Stainless Steel
																ITEM CODE	
GB3 G1 1/4	32	MPa 35	mm 93	46,5	115	75	13,5	111,5	99	300	120,5	G 1 1/4	17	32	kg 5,725	GB3GGT63021A000	GB3GGT63044A000
		Psi 5075	inch 3,66	1,83	4,53	2,95	0,53	4,39	3,90	11,81	4,74						
GB3 G1 1/2	40	MPa 35	mm 107	53,5	131	85	13,5	125,5	115	300	134,5	G 1 1/2	17	40	kg 8,632	GB3GGT73021A000	GB3GGT73044A000
		Psi 5075	inch 4,21	2,11	5,16	3,35	0,53	4,94	4,53	11,81	5,30						
GB3 G 2	50	MPa 35	mm 114	57	140	98	13,5	132,5	128	300	141,5	G 2	17	50	kg 10,607	GB3GGT83021A000	GB3GGT83044A000
		Psi 5075	inch 4,49	2,24	5,51	3,86	0,53	5,22	5,04	11,81	5,57						


GB3 ANSI/ASME B1.20.1 NPT

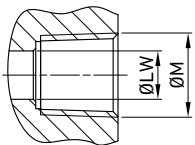
TYPE	DN	PN	A	B	C	D	E	F	G	H	I	ØM	SW	ØLW	WEIGHT	CS	SS
																Carbon Steel	Stainless Steel
																ITEM CODE	
GB3 N 1 1/4	32	MPa 35	mm 93	46,5	115	75	13,5	111,5	99	300	120,5	N 1 1/4	17	32	kg 5,725	GB3NNT63021A000	GB3NNT63044A000
		Psi 5075	inch 3,66	1,83	4,53	2,95	0,53	4,39	3,90	11,81	4,74						
GB3 N 1 1/2	40	MPa 35	mm 107	53,5	131	85	13,5	125,5	115	300	134,5	N 1 1/2	17	40	kg 8,632	GB3NNT73021A000	GB3NNT73044A000
		Psi 5075	inch 4,21	2,11	5,16	3,35	0,53	4,94	4,53	11,81	5,30						
GB3 N 2	50	MPa 35	mm 114	57	140	98	13,5	132,5	128	300	141,5	N 2	17	50	kg 10,607	GB3NNT83021A000	GB3NNT83044A000
		Psi 5075	inch 4,49	2,24	5,51	3,86	0,53	5,22	5,04	11,81	5,57						



GB3 DIN/ISO 228 BSP

Assembling threads per ISO5211

TYPE	DN	PN	Assembling threads per ISO5211													ITEM CODE				
			A	B	C	D	E	F	G	H	I	ØM	ØS	ØT	ISO5211	SW	ØLW	WEIGHT	CS Carbon Steel	SS Stainless Steel
GB3 G 1 1/4	32	MPa 35	mm 93	46,5	115	75	13,5	111,5	99	300	120,5	G 1	M6	50	F05	17	32	kg 5,725	GB3GGT63021AF50	GB3GGT63044AF50
		Psi 5075	inch 3,66	1,83	4,53	2,95	0,53	4,39	3,90	11,81	4,74	1/4		1,97		0,67	1,26	lb 12,62		
GB3 G 1 1/2	40	MPa 35	mm 107	53,5	131	85	13,5	125,5	115	300	134,5	G 1	M6	50	F05	17	40	kg 8,632	GB3GGT73021AF50	GB3GGT73044AF50
		Psi 5075	inch 4,21	2,11	5,16	3,35	0,53	4,94	4,53	11,81	5,30	1/2		1,97		0,67	1,57	lb 19,03		
GB3 G 2	50	MPa 35	mm 114	57	140	98	13,5	132,5	128	300	141,5	G 2	M6	50	F05	17	50	kg 10,607	GB3GGT83021AF50	GB3GGT83044AF50
		Psi 5075	inch 4,49	2,24	5,51	3,86	0,53	5,22	5,04	11,81	5,57			1,97		0,67	1,97	lb 23,38		



GB3 ANSI/ASME B1.20.1 NPT

Assembling threads per ISO5211

TYPE	DN	PN	Assembling threads per ISO5211													ITEM CODE				
			A	B	C	D	E	F	G	H	I	ØM	ØS	ØT	ISO5211	SW	ØLW	WEIGHT	CS Carbon Steel	SS Stainless Steel
GB3 N 1 1/4	32	MPa 35	mm 93	46,5	115	75	13,5	111,5	99	300	120,5	N 1	M6	50	F05	17	32	kg 5,725	GB3NNT63021AF50	GB3NNT63044AF50
		Psi 5075	inch 3,66	1,83	4,53	2,95	0,53	4,39	3,90	11,81	4,74	1/4		1,97		0,67	1,26	lb 12,62		
GB3 N 1 1/2	40	MPa 35	mm 107	53,5	131	85	13,5	125,5	115	300	134,5	N 1	M6	50	F05	17	40	kg 8,632	GB3NNT73021AF50	GB3NNT73044AF50
		Psi 5075	inch 4,21	2,11	5,16	3,35	0,53	4,94	4,53	11,81	5,30	1/2		1,97		0,67	1,57	lb 19,03		
GB3 N 2	50	MPa 35	mm 114	57	140	98	13,5	132,5	128	300	141,5	N 2	M6	50	F05	17	50	kg 10,607	GB3NNT83021AF50	GB3NNT83044AF50
		Psi 5075	inch 4,49	2,24	5,51	3,86	0,53	5,22	5,04	11,81	5,57			1,97		0,67	1,97	lb 23,38		