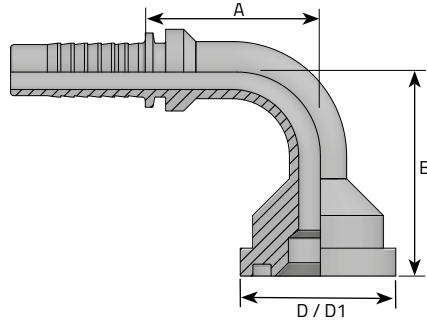


FLANGE CODE 61 - 3000 PSI - 90° ELBOW



FLANGIA 90° SAE J518 3000 PSI INTERA
 BRIDE 90° 3000 PSI (PIÈCE ENTIER)
 90° FLANSCHANSCHLUSS 3000 PSI – EINTEILIG
 BRIDA A 90° 3000 PSI (PIEZA UNICA)

* komatsu flange / Flangia Komatsu/ Bride komatsu /
 Flange komatsu / Brida komatsu
 Do Not Include O-Ring / O-Ring Non Compresso /
 Sans O-Ring / Ohne O-Ring/ Sin O-Ring

Code	Tube			Thread	Dimensions				Pressure	
	D.N.	Hose	Diam		D	D1	B	A	Bar	Psi
		Inch	mm		Inch	mm	mm	mm		
F90L0808I	-8	1/2"	12.8		1/2"	30.2	43	39	350	5076
* F90L0810I	-8	1/2"	12.8		5/8"	34	47	39	350	5076
F90L0812I	-8	1/2"	12.8		3/4"	38.1	50	39	350	5076
F90L1008I	-10	5/8"	16		1/2"	30.2	49	49	350	5076
* F90L1010I	-10	5/8"	16		5/8"	34	52	49	350	5076
F90L1012I	-10	5/8"	16		3/4"	38.1	55	49	350	5076
F90L1208I	-12	3/4"	19		1/2"	30.2	52	57	350	5076
F90L1212I	-12	3/4"	19		3/4"	38.1	58	57	350	5076
F90L1216I	-16	3/4"	25.4		1"	44.5	62	57	350	5076
F90L1612I	-16	1"	25.4		3/4"	38.1	60	77	280	4061
F90L1616I	-16	1"	25.4		1"	44.5	64	77	280	4061
F90L1620I	-16	1"	25.4		1.1/4"	50.8	70	77	280	4061
F90L2016I	-20	1.1/4"	31.8		1"	44.5	82	89	210	3046
F90L2020I	-20	1.1/4"	31.8		1.1/4"	50.8	87	89	210	3046
F90L2024I	-20	1.1/4"	31.8		1.1/2"	60.3	88	89	210	3046
F90L2424I	-24	1.1/2"	38.1		1.1/2"	60.3	102	101	185	2683
F90L2432I	-24	1.1/2"	38.1		2"	71.4	118	101	185	2683
F90L3232I	-32	2"	50.8		2"	71.4	120	144	170	2466