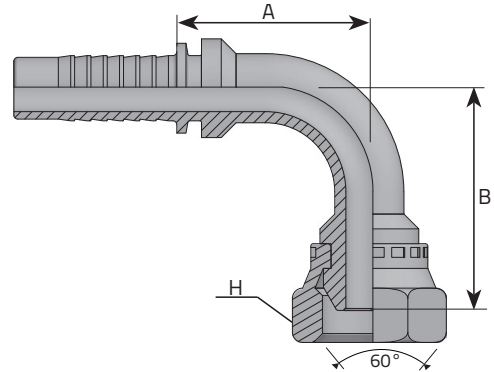


BSPP FEMALE - 60° CONE - 90° ELBOW (1)

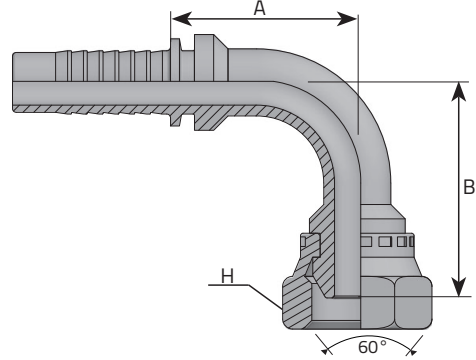
FEMMINA 90° BSPP SV 60°
 FEMELLE 90° BSPP CÔNE 60°
 DKR 90° BOGEN 60° KONUS (BSPP-GEWINDE)
 HEMBRA GIRATORIA A 90° BSPP - CONO 60°



Code	Tube		Thread		Dimensions			Pressure		
	D.N.	Hose	Diam	T	t/1"	H	B	A	Bar	Psi
	Inch	mm	Inch		mm	mm	mm			
F90G0302	-3	3/16"	4.8	1/8"	28	15	29	23	350	5076
F90G0304	-3	3/16"	4.8	1/4"		19	29	23	415	6019
F90G0402	-4	1/4"	6.4	1/8"	28	15	29	23	350	5076
F90G0404	-4	1/4"	6.4	1/4"		19	29	23	450	6526
F90G0406	-4	1/4"	6.4	3/8"		22	32	23	450	6526
F90G0408	-4	1/4"	6.4	1/2"		27	30	31.5	450	6526
F90G0504	-5	5/16"	7.9	1/4"		19	33.5	31.5	350	5076
F90G0506	-5	5/16"	7.9	3/8"		22	35.5	31.5	350	5076
F90G0508	-5	5/16"	7.9	1/2"		27	39	31.5	350	5076
F90G0604	-6	3/8"	9.5	1/4"		19	37	33	450	6526
F90G0606	-6	3/8"	9.5	3/8"		22	38	33	450	6526
F90G0608	-6	3/8"	9.5	1/2"		27	42	33	450	6526
F90G0806	-8	1/2"	12.8	3/8"		22	43	39	415	6019
F90G0808	-8	1/2"	12.8	1/2"		27	45	39	415	6019
F90G0810	-8	1/2"	12.8	5/8"		28	45	39	415	6019
F90G0812	-8	1/2"	12.8	3/4"		32	51	39	415	6019
F90G1008	-10	5/8"	16	1/2"		27	54	49	350	5076
F90G1010	-10	5/8"	16	5/8"		28	54	49	350	5076

BSPP FEMALE - 60° CONE - 90° ELBOW (2)

FEMMINA 90° BSPP SV 60°
 FEMELLE 90° BSPP CÔNE 60°
 DKR 90° BOGEN 60° KONUS (BSPP-GEWINDE)
 HEMBRA GIRATORIA A 90° BSPP - CONO 60°



Code	Tube		Thread		Dimensions			Pressure		
	D.N.	Hose	Diam	T	t/1"	H	B	A	Bar	Psi
	Inch	mm	Inch		mm	mm	mm			
F90G1012	-10	5/8"	16	3/4"		32	56	49	350	5076
F90G1208	-12	3/4"	19	1/2"		27	56	53.5	350	5076
F90G1210	-12	3/4"	19	5/8"		28	56	53.5	350	5076
F90G1212	-12	3/4"	19	3/4"		32	59	53.5	350	5076
F90G1216	-12	3/4"	19	1"	11	38	65	53.5	350	5076
F90G1612	-16	1"	25.4	3/4"		32	72	68.5	280	4061
F90G1616	-16	1"	25.4	1"	11	38	72	73	280	4061
F90G1620	-16	1"	25.4	1.1/4"		50	80	73	280	4061
F90G2020	-20	1.1/4"	31.8	1.1/4"		50	93	89	210	3046
F90G2024	-20	1.1/4"	31.8	1.1/2"		55	98.5	89	210	3046
F90G2424	-24	1.1/2"	38.1	1.1/2"		55	114	101	185	2683