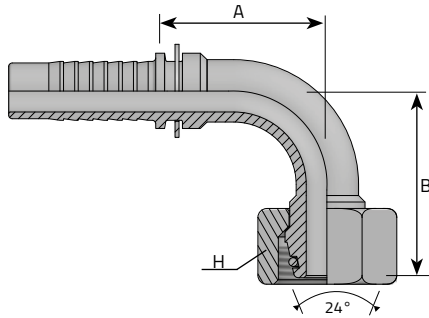


METRIC FEMALE 24° CONE - 90° ELBOW - L TYPE (1)



FEMMINA 90° METRICA DKOL CON O-RING 24°
 FEMELLE 90° MÉTRIQUE CÔNE 24° AVEC O-RING - SÉRIE L
 DKO-L 90° BOGEN INNENGEWINDE MIT O-RING 24° KONUS
 HEMBRA GIRATORIA A 90° MÉTRICA CON O-RING CONO 24° - SERIE L

* CRIMPED NUT
 DADO PINZATO

Code	Tube			Thread	Dimensions				Pressure	
	D.N.	Hose	Diam		D	H	B	A	Bar	Psi
	Inch		mm		mm	mm	mm	mm		
F90E0312L6	-3	3/16"	4.8	M12 x 1.5	6	14	31.5	29.5	250	3626
F90E0314L8	-3	3/16"	4.8	M14 x 1.5	8	17	31.5	29.5	250	3626
* F90E0412L6	-4	1/4"	6.4	M12 x 1.5	6	17	31.5	29.5	250	3626
F90E0414L8	-4	1/4"	6.4	M14 x 1.5	8	17	31.5	29.5	250	3626
F90E0416L10	-4	1/4"	6.4	M16 x 1.5	10	19	32.5	29	250	3626
F90E0418L12	-4	1/4"	6.4	M18 x 1.5	12	22	30.5	27	250	3626
* F90E0514L8	-5	5/16"	7.9	M14 x 1.5	8	19	36.7	31.5	250	3626
F90E0516L10	-5	5/16"	7.9	M16 x 1.5	10	19	32.5	31	250	3626
F90E0518L12	-5	5/16"	7.9	M18 x 1.5	12	22	37	29	250	3626
* F90E0616L10	-6	3/8"	9.5	M16 x 1.5	10	19	38	33	250	3626
F90E0618L12	-6	3/8"	9.5	M18 x 1.5	12	22	37.5	35.5	250	3626
F90E0622L15	-6	3/8"	9.5	M22 x 1.5	15	27	42	34	250	3626
* F90E0818L12	-8	1/2"	12.8	M18 x 1.5	12	22	49	39	250	3626
F90E0822L15	-8	1/2"	12.8	M22 x 1.5	15	27	44	39.5	250	3626
F90E0826L18	-8	1/2"	12.8	M26 x 1.5	18	32	46.5	39.5	160	2320